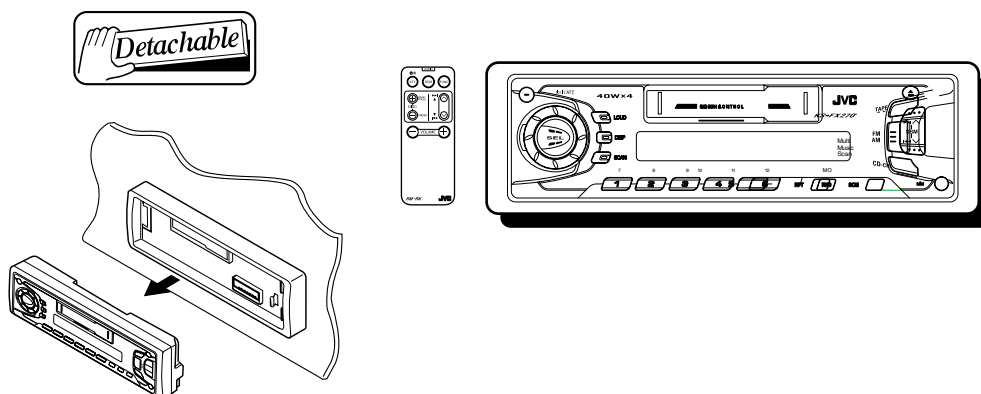


JVC

SERVICE MANUAL

CASSETTE RECEIVER

KS-FX270




Area Suffix

J ---- Northern America

Contents

Safety precaution	1-2
Disassembly method	1-3
Adjustment method	1-12
Description of major ICs	1-16

Safety precaution

 **CAUTION** Burrs formed during molding may be left over on some parts of the chassis. Therefore, pay attention to such burrs in the case of performing repair of this system.

Disassembly method

<Main body>

■ Removing the front panel assembly (See Fig.1)

1. Press the eject button in the lower right part of the front panel. Remove the front panel assembly from the body.

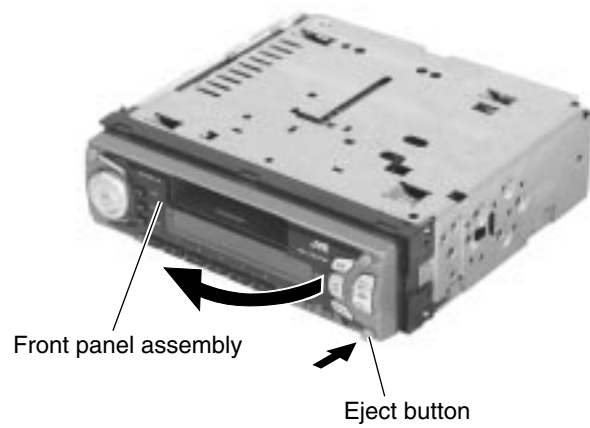


Fig.1

■ Removing the front chassis assembly (See Fig.2 and 3)

- Prior to performing the following procedure, remove the front panel assembly.

1. Release the four joint tabs **a** on both sides of the front chassis assembly and remove the front chassis assembly toward the front.

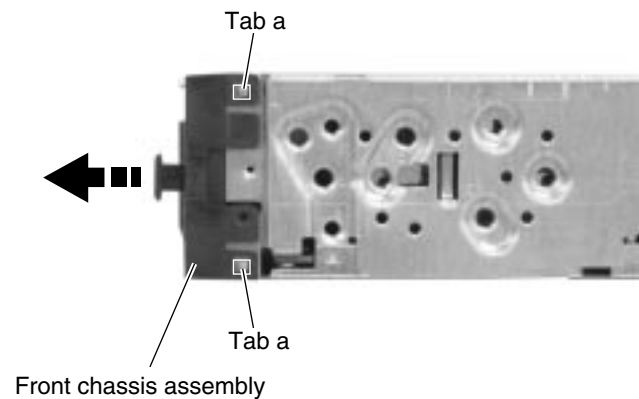


Fig.2

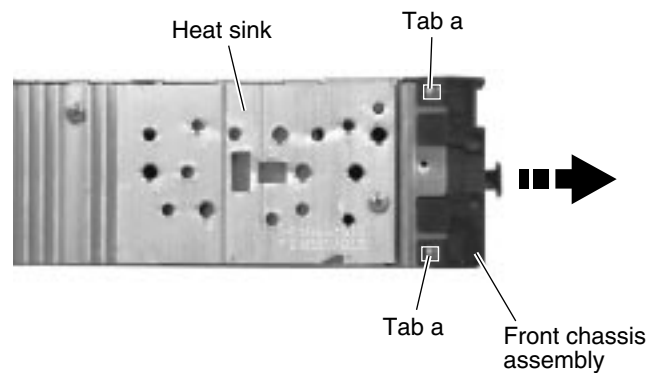


Fig.3

■ Removing the heat sink (See Fig.4)

1. Remove the three screws **A** on the left side of the body.

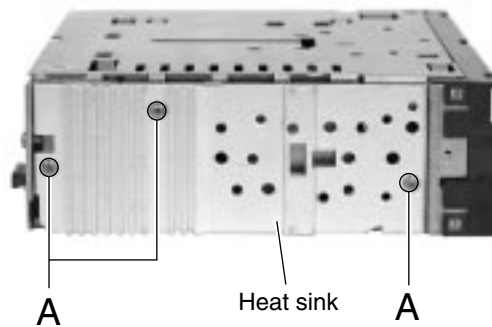


Fig.4

■ Removing the bottom cover (See Fig.5 and 6)

- Prior to performing the following procedure, remove the front panel assembly, the front chassis assembly and the heat sink.

1. Turn over the body and unjoint the five joints **b** with the bottom cover and the body using a screwdriver.

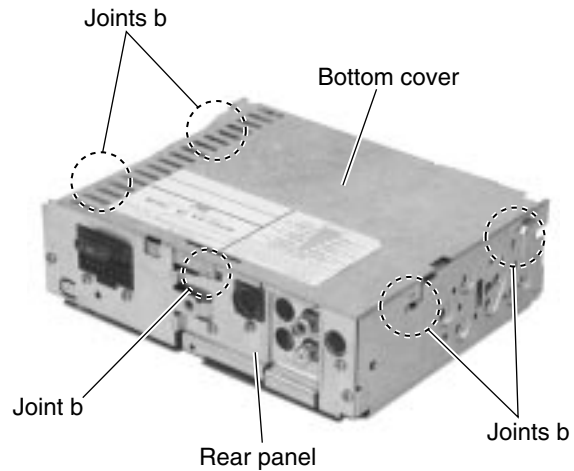


Fig.5

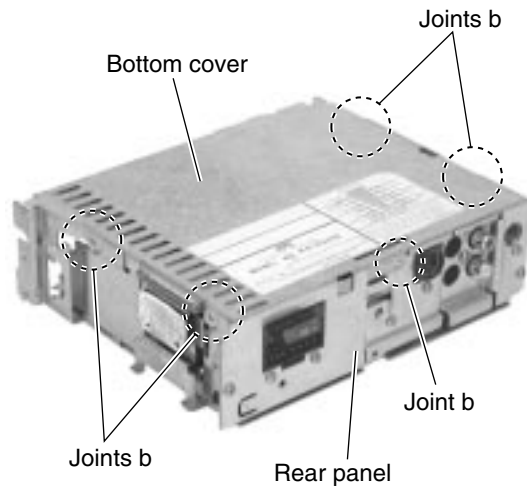


Fig.6

■ Removing the main board (See Fig.7 and 8)

• Prior to performing the following procedure, remove the front panel assembly, the front chassis assembly, the heat sink and the bottom cover.

1. Remove the screw **B**, the four screws **C** and the two screws **D** attaching the rear bracket on the back of the body. Remove the rear panel.
2. Remove the two screws **E** attaching the main board on the bottom of the body. Disconnect connector CN701 on the main board in the direction of the arrow.

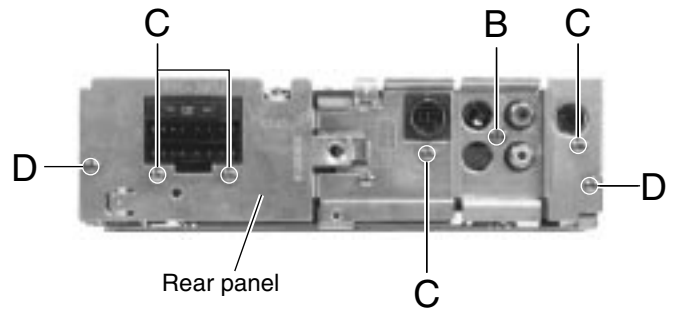


Fig.7

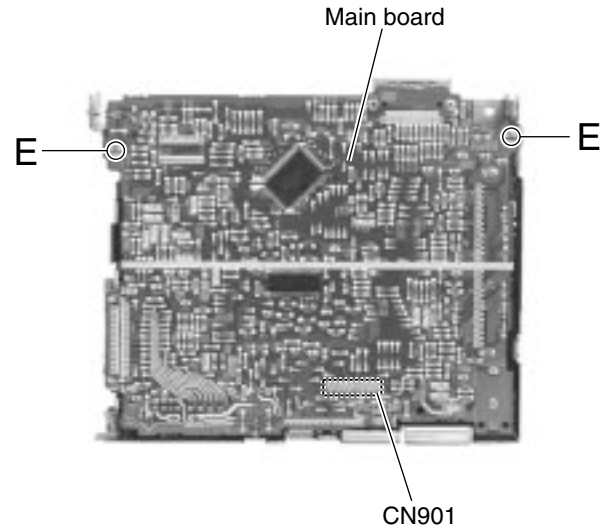


Fig.8

■ Removing the cassette mechanism section (See Fig.9)

• Prior to performing the following procedure, remove the front panel assembly, the front chassis assembly, the heat sink, the bottom cover and the main board.

1. Remove the four screws **F** attaching the cassette mechanism section on the back of the top chassis.

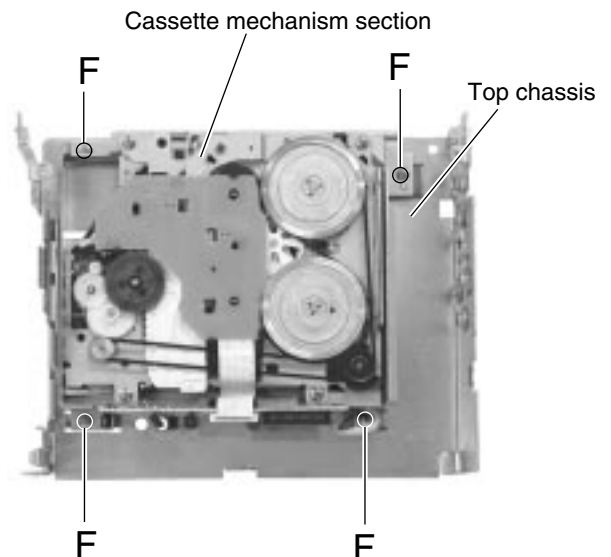


Fig.9

■ **Removing the control switch board**
(See Fig.10 to 12)

• Prior to performing the following procedure, remove the front panel assembly.

1. Remove the four screws **G** attaching the rear cover on the back of the front panel assembly.
2. Unjoint the six joints **c** with the front panel and the rear cover.
3. Remove the control switch board on the back of the front panel.

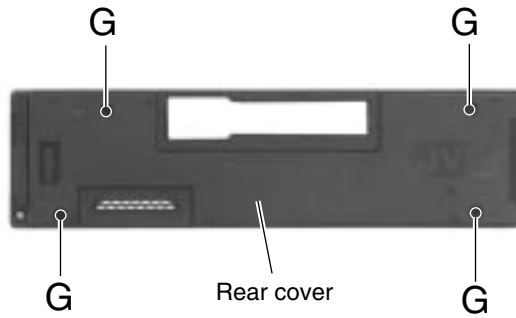


Fig.10

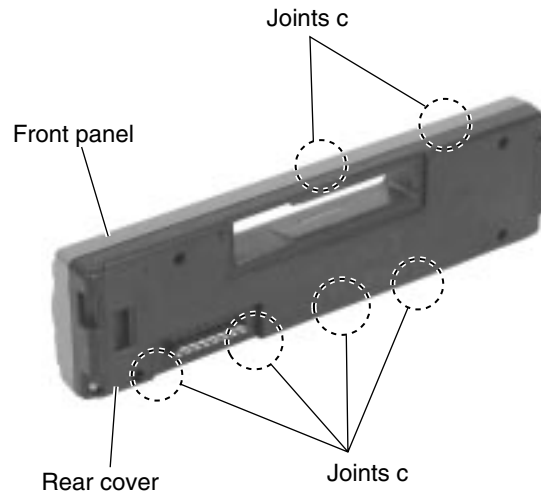


Fig.11

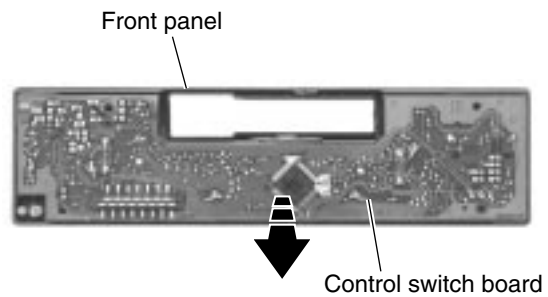


Fig.12

<Removal of the cassette mechanism>

**■ Removing the head amplifier P.W.B.
(See Fig.1 and 2)**

1. For the 6pin harness extending from connector CN402 on the head amplifier P.W.B, disconnect it from the head relay P.W.B.
2. Disconnect the card wire from connector CN403 on the head amplifier P.W.B.
3. Remove the screw A attaching the head amplifier P.W.B.
4. Move the tab a as shown in Fig.2 and remove the head amplifier P.W.B. while moving it in the direction of the arrow.

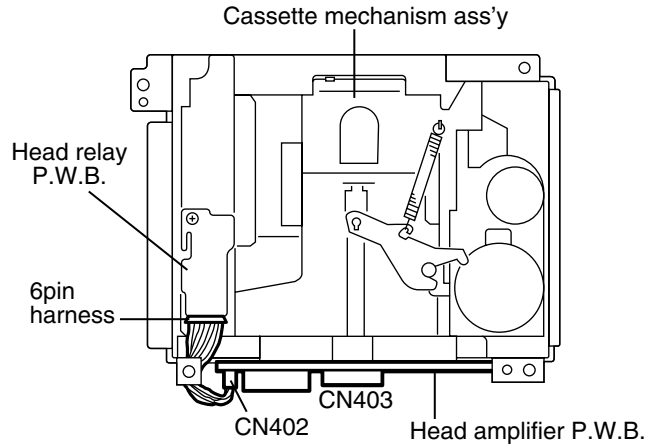


Fig.1

■ Removing the cassette mechanism assembly (See Fig.1 to 3)

1. Disconnect the 6pin harness from connector CN402 and the card wire from CN403 on the head amplifier P.W.B. (Refer to Fig.1 and 2).
2. Remove the four screws B on the bottom of the cassette mechanism.

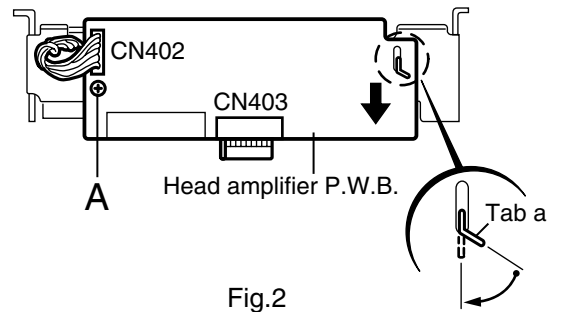


Fig.2

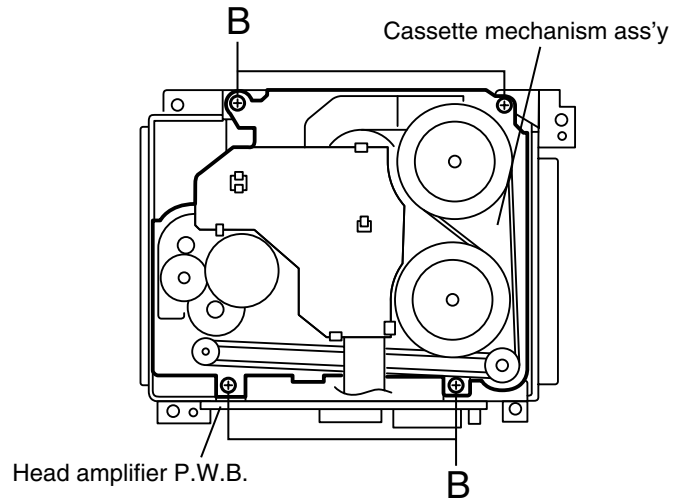
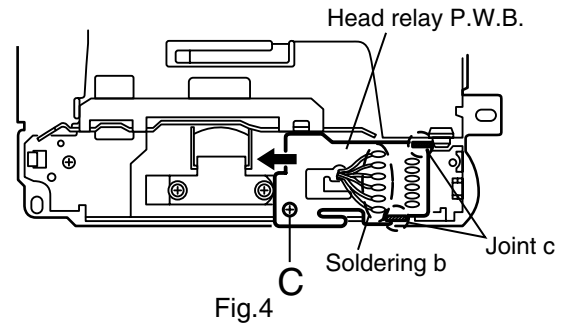


Fig.3

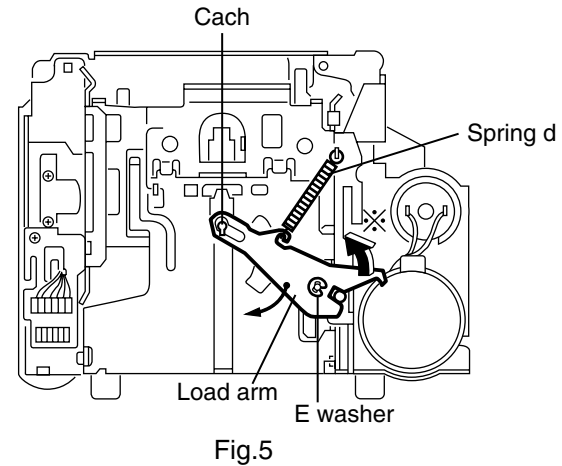
■ Removing the head relay P.W.B.
(See Fig.4)

1. Unsolder the soldering b on the head relay P.W.B.
2. Remove the screw C attaching the head relay P.W.B.
3. Remove the head relay P.W.B. in the direction of the arrow while releasing the two joints c.



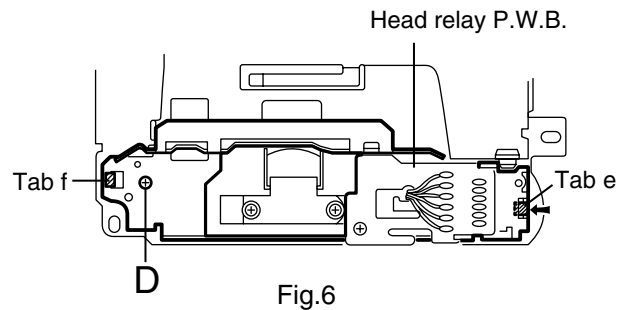
■ Removing the load arm (See Fig.5)

1. Remove the E washer attaching the load arm using a pincette or something like that and remove the spring d.
2. Move the part of the load arm marked ✕ upwards to release it from the axis of rotation. Then rotate the load arm in the direction of the arrow to remove it from the cach.



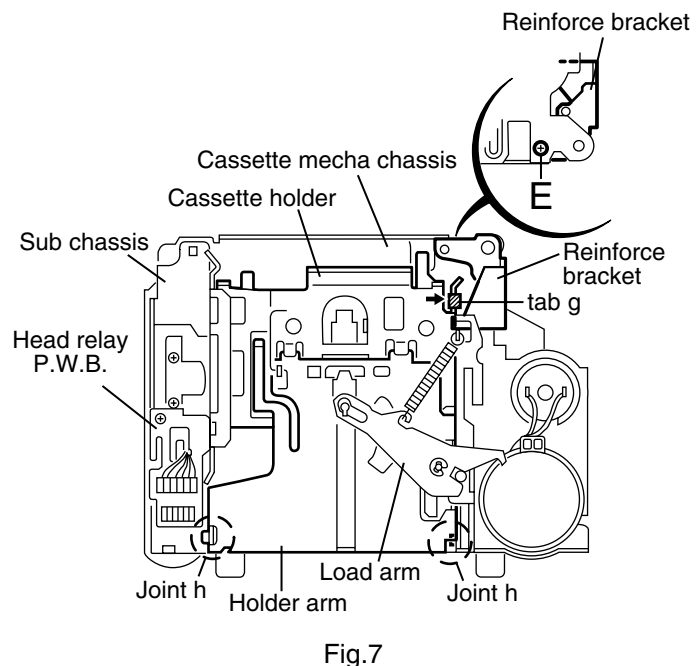
■ Removing the sub chassis (See Fig.6)

- Prior to performing the following procedure, remove the head relay P.W.B.
1. Remove the screw D attaching the sub chassis.
 2. Push the tab e in the direction of the arrow to detach the one side of the sub chassis. Then release the sub chassis from the tab f.



■ Removing the cassette holder and the holder arm in the eject mode
(See Fig.7 and 8)

- Prior to performing the following procedure, remove the head relay P.W.B., the load arm and the sub chassis.
1. Remove the screw E attaching the reinforce bracket.
 2. Remove the reinforce bracket.
 3. Push the tab g fixing the cassette holder in the direction of the arrow and open the cassette holder and the holder arm upward until they stop at an angle of 45 degrees. Move the two joints h to the side and remove the cassette holder and the holder arm from the shaft.



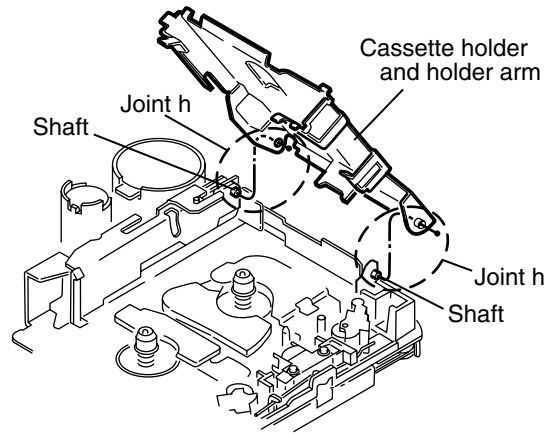


Fig.8

■ Removing the play head (See Fig.9)

• Prior to performing the following procedure, remove the head relay P.W.B.and the sub chassis.

1. Remove the two screws F attaching the play head (The spring under the play head comes off at the same time).

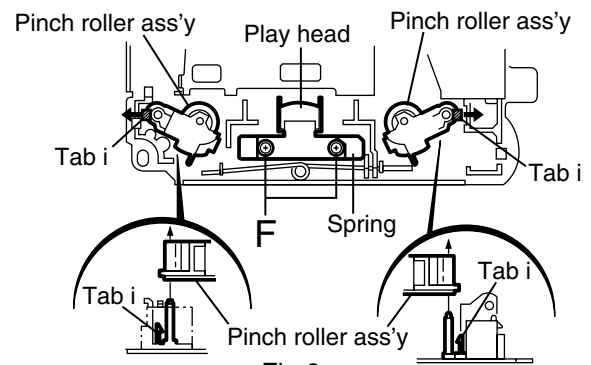


Fig.9

■ Removing the pinch roller ass'y (See Fig.9)

• Prior to performing the following procedure, remove the head relay P.W.B.and the sub chassis.

1. Push each tab i in the direction of the arrow and pull out the pinch rollers on both sides.

■ Removing the reel disc P.W.B. (See Fig.10)

1. Unsolder the soldering j on the reel disc P.W.B.
2. Push the seven tabs k on the bottom of the cassette mechanism assembly in the direction of the arrow.

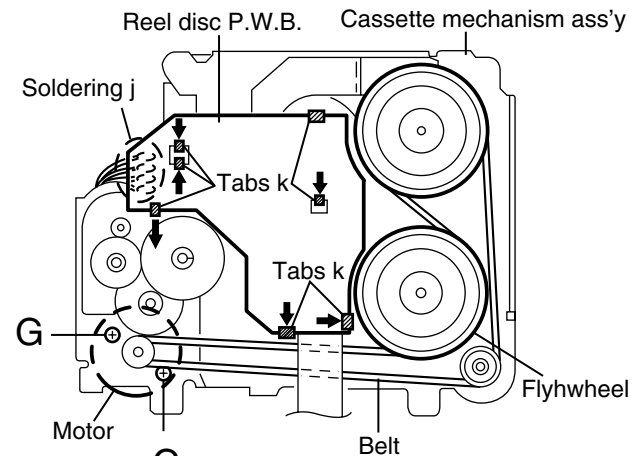


Fig.10

■ Removing the motor and the sub motor (See Fig.10 and 11)

1. Unsolder the two soldering l of the motor and the sub motor.
2. Release the sub motor from the three tabs m. Push the sub motor upward and pull out it.
3. Remove the belt on the bottom of the cassette mechanism assembly and remove the two screws G attaching the motor.

ATTENTION: The motors can be detached before removing the load arm.

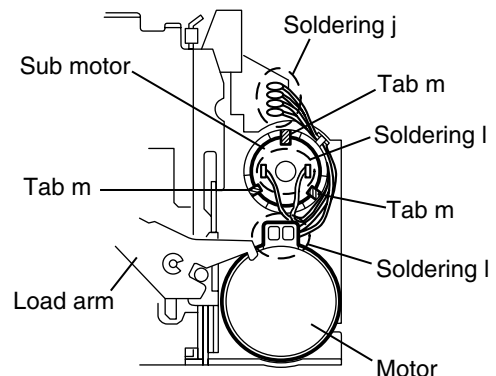


Fig.11

■ Removing the flywheel

(See Fig.10 and 12)

1. Prior to performing the following procedure, remove the head relay P.W.B, the load arm, the sub chassis, the cassette holder, the holder arm and the reel disc P.W.B.
2. Remove the belt on the bottom of the cassette mechanism ass'y.
3. Remove the slit washer attaching the flywheel on the upper side of the cassette mechanism ass'y and pull out the flywheel downward. Then remove another flywheel in the same way.

ATTENTION: When reassembling, make sure to use a new slit washer.

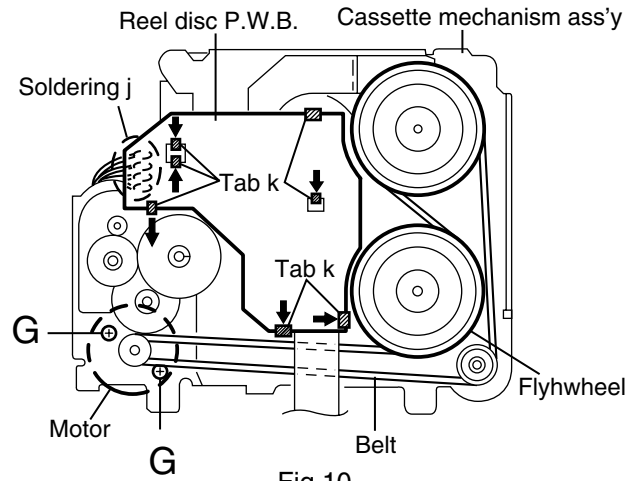


Fig.10

■ Removing the reel disc ass'y (I)

(See Fig.12 to 14)

- Prior to performing the following procedure, remove the head relay P.W.B, the load arm, the sub chassis, the cassette holder and the holder arm.
1. Disengage the part n inside of the reel driver which engages with the shaft, using a pincette or something like that. Then remove the reel driver from the shaft.
 2. Remove the reel driver spring and the reel table.

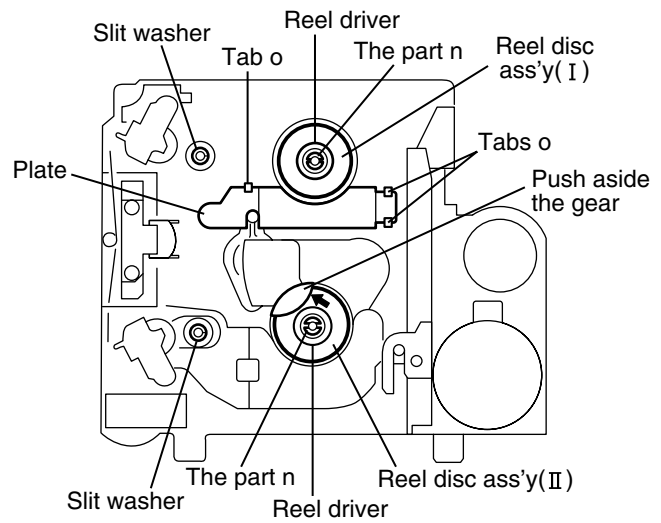


Fig.12

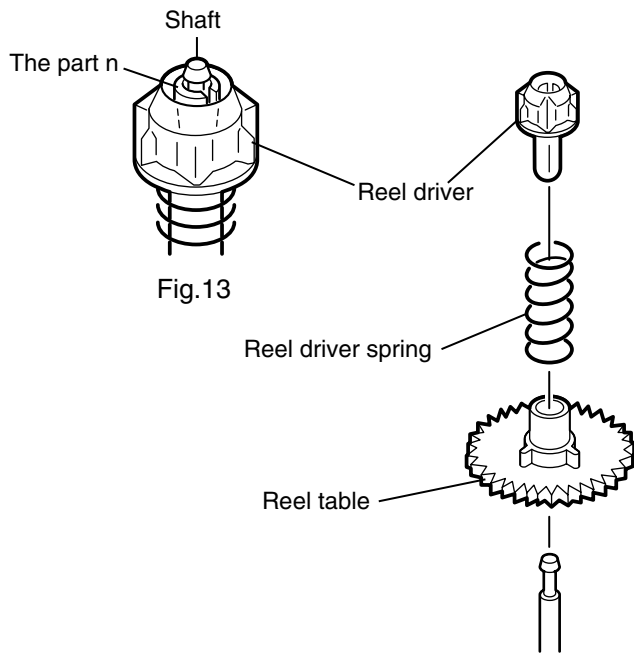


Fig.13

Fig.14

■ **Removing the reel disc ass'y(Ⅱ)**
(See Fig.12 to 15)

ATTENTION: Prior to performing the following procedure, remove the reel disc (I).

1. Release the plate from the three tabs o.
2. Push aside the gear over the reel table using a pincette or something like that.
3. Remove the reel disc ass'y (Ⅱ) as with the reel disc ass'y (I).

ATTENTION: Do not break the front panel tab fitted to the metal cover.

Push aside the gear and reattach the reel disc Ass'y(I).

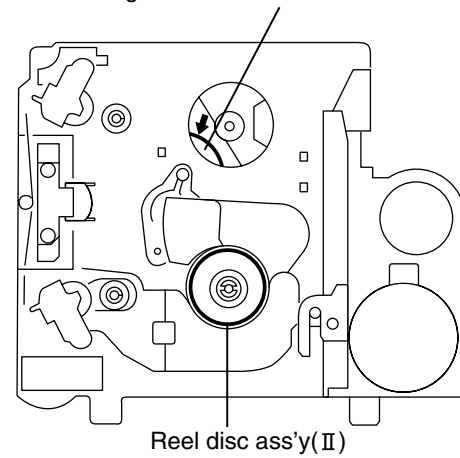


Fig.15

Adjustment method

■ Test instruments required for adjustment

1. Digital oscilloscope(100MHz)
2. Frequency Counter meter
3. Electric voltmeter
4. Wow & flutter meter
5. Test Tapes
 - MC-109C for TAPA CURL confirmation
(without Padd type)
 - VT724 for DOLBY level measurement
 - VT739 For playback frequency measurement
 - VT712 For wow flutter & tape speed measurement
 - VT703 For head azimuth measurement
6. Torque gauge Cassette type for CTG-N
(mechanism adjustment)

■ Measuring conditions(Amplifier section)

- Power supply voltage DC14.4V (10.5 - 16V)
- Load impedance 4 (2Speakers connection)
- Line out 20k

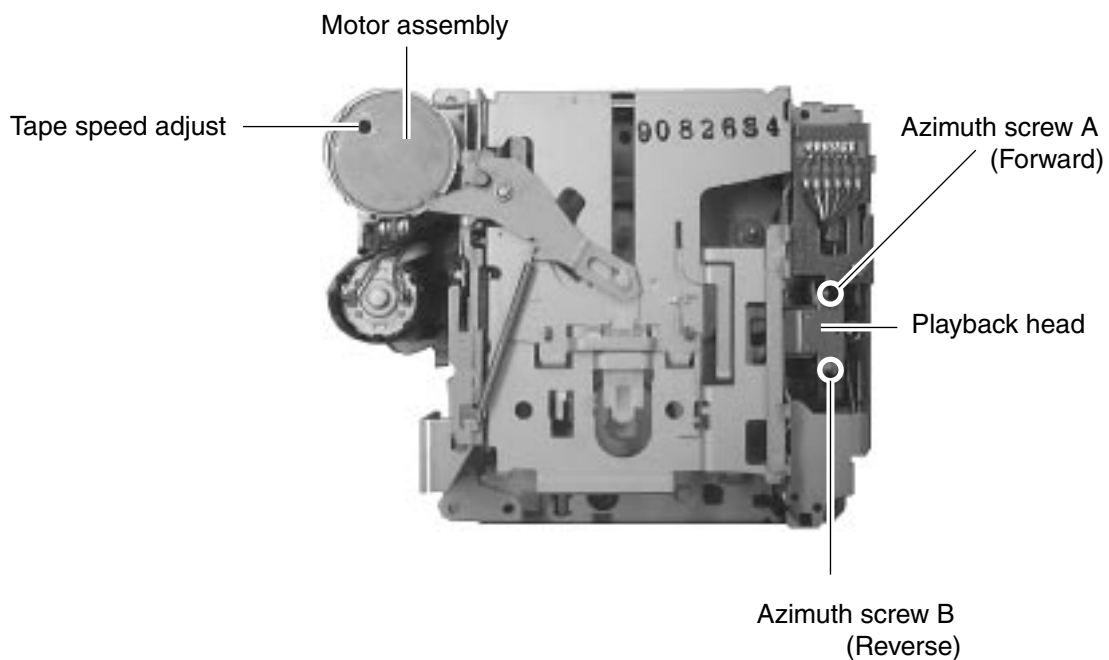
■ Standard volume position

Balance and Bass, Treble volume .Fader
:Center(Indication"0")
Loudness, Dolby NR, Sound, Cruise:Off
Volume position is about 2V at speaker output with
following conditions. Playback the test tape VT721.

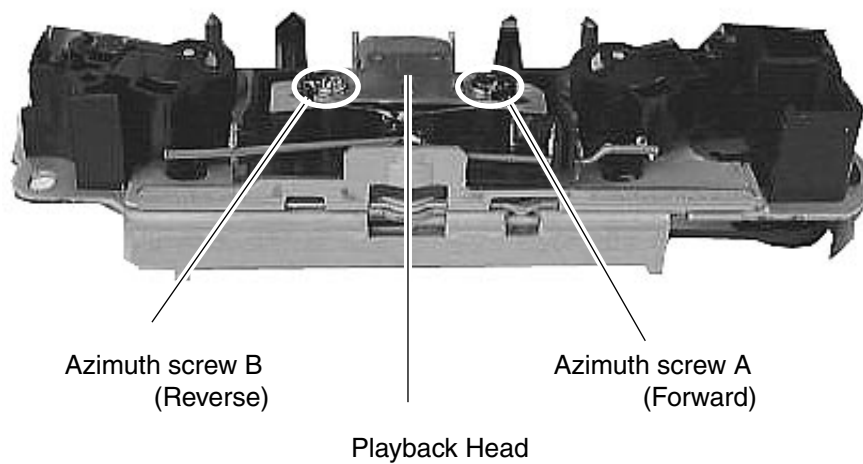
- AM mode 1000kHz/62dB, INT/400Hz, 30%
modulation signal on receiving.
- FM mono mode 97.5MHz/66dB, INT/400Hz, 22.5kHz
deviation pilot off mono
- FM stereo mode 1kHz, 67.5kHz dev. pilot 7.5kHz dev.
- Output level 0dB(1 V, 50 /open terminal)

■ Arrangement of adjusting & test points

Cassette mechanism
(Surface)



Head section view



Information for using a car audio service jig

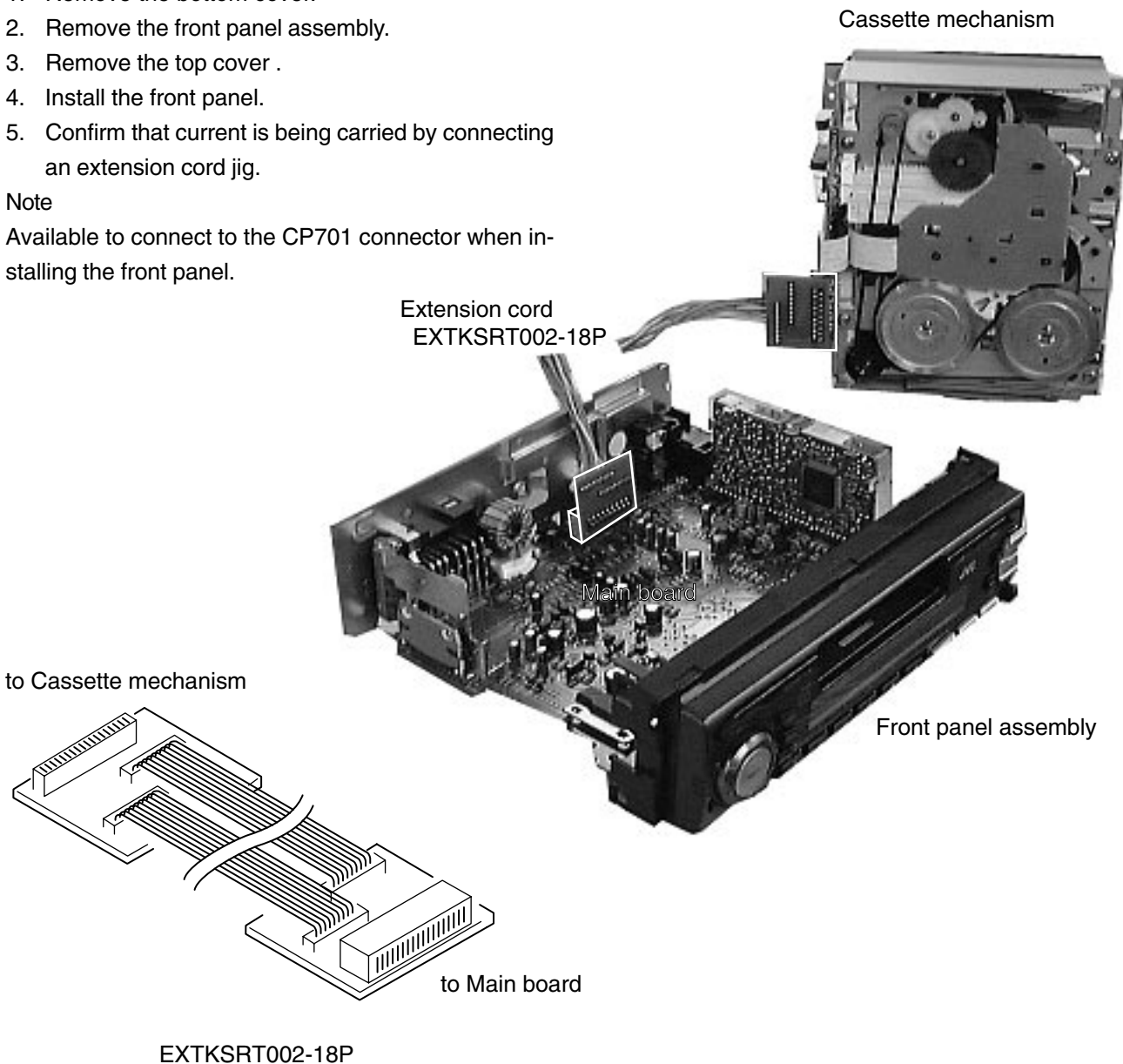
1. We're advancing efforts to make our extension cords common for all car audio products.
Please use this type of extension cord as follows.
2. As a U-shape type top cover is employed, this type of extension cord is needed to check operation of the mechanism assembly after disassembly.
3. Extension cord : EXTKSRT002-18P (18 pin extension cord) For connection between mechanism assembly and main board assembly.
Check for mechanism driving section such as motor ,etc..

Disassembly method

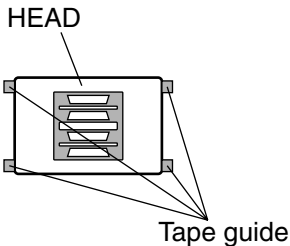
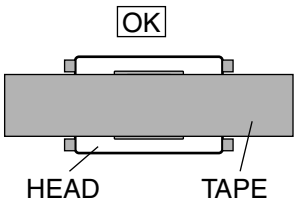
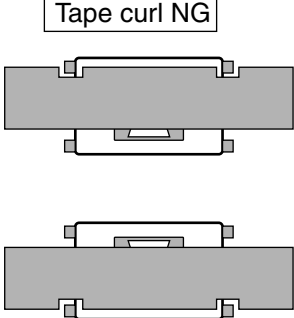
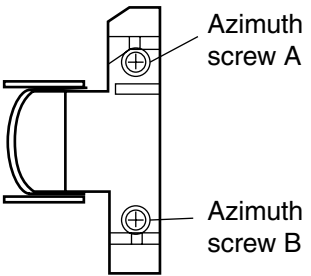
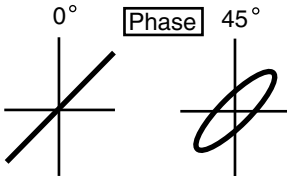
1. Remove the bottom cover.
2. Remove the front panel assembly.
3. Remove the top cover .
4. Install the front panel.
5. Confirm that current is being carried by connecting an extension cord jig.

Note

Available to connect to the CP701 connector when installing the front panel.



■ Mechanism adjustment section

Item	Adjusting & Confirmation Methods	Adjust Std. Value	
<p>1. Tape running adjustment</p> <p>2. Azimuth adjustment confirmation</p>	<p>a) At Forward playmode, using mirror tape, make adjustment with Azimuth screw A and Azimuth screw B, without curl of 4 parts of head tape guide.</p> <p>b) At Reverse play mode, using mirror tape, make adjustment with Azimuth screw A and Azimuth screw B, without tape curl of 4 parts of head tape guide.</p> <p>c) At Forward / Reverse play mode, make confirmation of no tape curl of 4 parts of head tape guide.</p> <p>a) At forward play mode, make adjustment of peak of Lch / Rch output with Azimuth screw A. * For Oscilloscope litharge corrugation, set 45° as standard.</p> <p>b) At Reverse play mode, make adjustment of peak of Lch / Rch output with Azimuth screw B. * For Oscilloscope litharge corrugation, set 45° as standard.</p> <p>c) With AC volt meter confirm the difference of output for 4ch between Lch / Rch at forward play mode and Lch / Rch Reverse play mode being within 3.0dB.</p> <p>d) After operation, make confirmation of Lch / Rch azimuth output being within 1.0dB from adjustment value.</p> <div style="text-align: center;">  </div> <div style="display: flex; justify-content: space-around; margin-top: 20px;"> <div style="text-align: center;">  <p>OK</p> </div> <div style="text-align: center;">  <p>Tape curl NG</p> </div> </div>	<div style="text-align: right;">  </div> <div style="text-align: center; margin-top: 40px;">  </div>	
<p>2. Tape Speed and Wow & Flutter</p>	<p>1. Check to see if the reading of the frequency counter & Wow flutter meter is within 2940-3090 Hz (FWD/REV), and less than 0.35% (JIS RMS).</p> <p>2. In case of out of specification, adjust the motor with a built-in volume resistor .</p>	<p>Built-in volume resistor</p>	<p>Tape Speed 2940-3090Hz Wow&Flutter Less than 0.35% (JIS RMS)</p>
<p>3. Playback Frequency response</p>	<p>1. Play the test tape (VT724 : 1kHz) back and set the volume position at 2V .</p> <p>2. Play the test tape (VT739)back and confirm 0±3dB at 1kHz/ 10kHz and -4+2dB at 1kHz/63Hz.</p> <p>3. When 10kHz is out of specification, it will be necessary to read adjust the azimuth.</p>		<p>Speaker out 1kHz/10kHz : 0dB±3dB, 63Hz/1kHz : -4dB+2dB,</p>

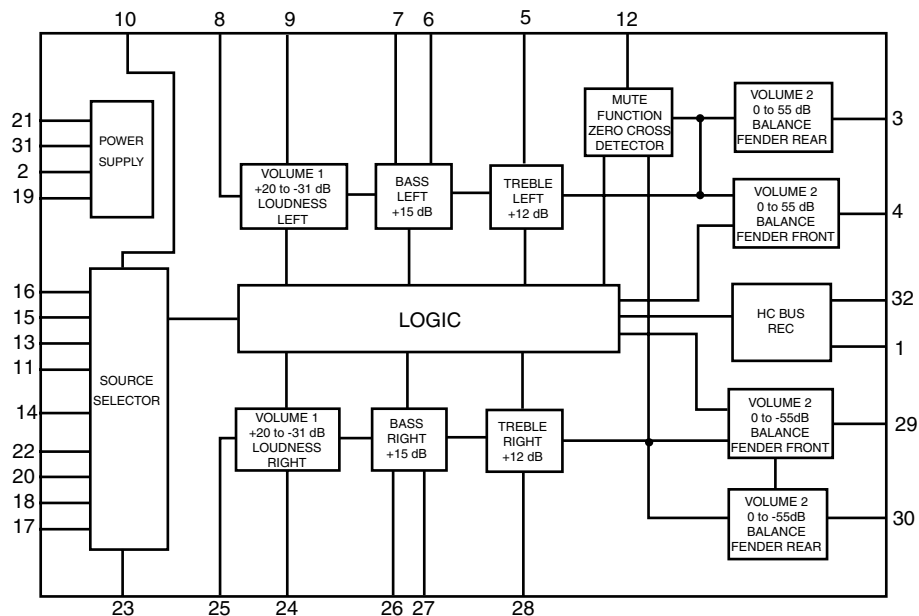
Description of major ICs

■ TEA6320T-X (IC161) : E.volume

1.Pin layout

SDA	1	32	SCL
GND	2	31	VCC
OUTLR	3	30	OUTRR
OUTLF	4	29	OUTRF
TL	5	28	TR
B2L	6	27	B2R
B1L	7	26	B1R
IVL	8	25	IVR
ILL	9	24	ILR
QSL	10	23	QSR
IDL	11	22	IDR
MUTE	12	21	Vref
ICL	13	20	ICR
IMD	14	19	CAP
IBL	15	18	IBR
IAL	16	17	IAR

2.Block diagram

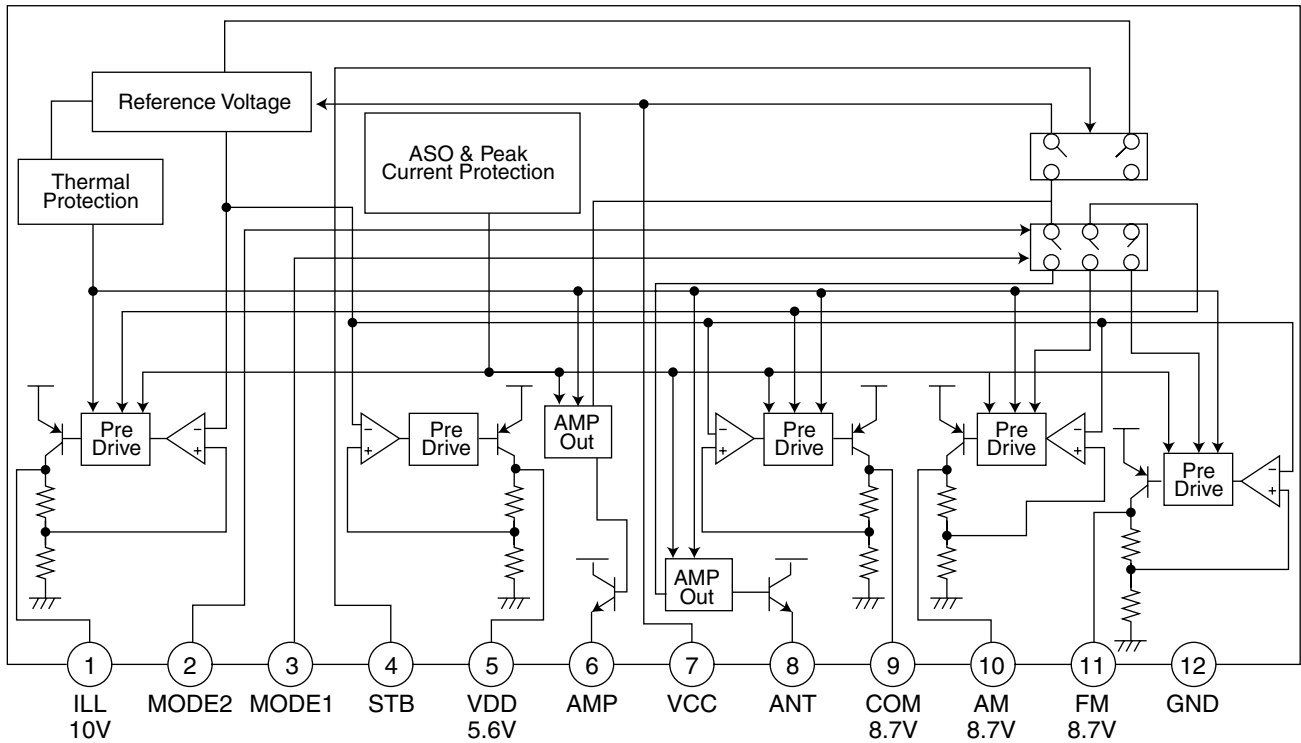


3.Pin functions

Pin No.	Symbol	I/O	Functions	Pin No.	Symbol	I/O	Functions
1	SDA	I/O	Serial data input/output.	17	IAR	I	Input A right source.
2	GND	-	Ground.	18	IBR	I	Input B right source.
3	OUTLR	O	output left rear.	19	CAP	-	Electronic filtering for supply.
4	OUTLF	O	output left front.	20	ICR	I	Input C right source.
5	TL	I	Treble control capacitor left channel or input from an external equalizer.	21	Vref	-	Reference voltage (0.5Vcc)
6	B2L	-	Bass control capacitor left channel or output to an external equalizer.	22	IDR	-	Not used
7	B1L	-	Bass control capacitor left channel.	23	QSR	O	Output source selector right channel.
8	IVL	I	Input volume 1. left control part.	24	ILR	I	Input loudness right channel.
9	ILL	I	Input loudness. left control part.	25	IVR	I	Input volume 1. right control part.
10	QSL	O	Output source selector. left channel.	26	B1R	-	Bass control capacitor right channel
11	IDL	-	Not used	27	B2R	O	Bass control capacitor right channel or output to an external equalizer.
12	MUTE	-	Not used	28	TR	I	Treble control capacitor right channel or input from an external equalizer.
13	ICL	I	Input C left source.	29	OUTRF	O	Output right front.
14	IMO	-	Not used	30	OUTRR	O	Output right rear.
15	IBL	I	Input B left source.	31	Vcc	-	Supply voltage.
16	IAL	I	Input A left source.	32	SCL	I	Serial clock input.

■ AN80T05LF (IC901) : Regulator

1. Terminal layout & Block diagram



2. Pin function

Pin No.	Symbol	Function
1	ILL	10V power supply for illumination.
2	MODE2	When 5V is input, becomes AM. and the antenna output is turned on.
3	MODE1	When 5V is input, becomes AM. and the output of FM is switched.
4	STB	When 5V is input, outputs to ILL, COM, and AMP. It is 0V usually.
5	VDD	5.6V power supply.
6	AMP	Power supply supply to remote amplifier
7	VCC	Back up. connects with ACC with it.
8	ANT	Power supply supply to auto antenna.
9	COM	8.7V power supply.
10	AM	The power supply of 8.7V to AM.
11	FM	The power supply of 8.7V to FM.
12	GND	Ground

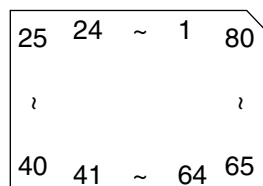
3.Pin function

CXA2559Q 2/2

Pin No.	Symbol	I/O	Function
1	PBTC1	-	Terminal of capacity of reproduction equalizer reproduction
2	PBOUT1	O	Equalizer output terminal
3	OUTREF1	O	Output standard terminal
4	TAPEIN1	I	Tape input terminal
5	Vcc	-	Power supply terminal
6	NC	-	Non connection
7	LINEOUT1	O	Line-out output terminal
8	NC	-	Non connection
9	NC	-	Non connection
10	MSLPF	-	Detection LPF terminal between tunes
11	G2FB	-	Detection level set terminal between tunes
12	G1FB	-	Detection level set terminal between tunes
13	MSTC	-	Time constant connection terminal for the detection between tunes
14	MSOUT	O	Detection output terminal between tunes
15	NC	-	Non connection
16	NC	-	Non connection
17	MUTESW	I	Mute function control terminal
18	TAPESW	I	Reproduction equalizer control terminal
19	DRSW	I	Head change control terminal
20	MSMODE	I	Detection mode control terminal between tunes
21	MSSW	I	Detection function control terminal between tunes
22	NC	-	Non connection
23	NC	-	Non connection
24	LINEOUT2	O	Line-out output terminal
25	DIREF	-	Resistance connection terminal for standard current setting
26	GND	-	Earth terminal
27	TAPEIN2	I	Tape input terminal
28	OUTREF2	O	Output standard terminal
29	PBOUT2	O	Reproduction equalizer output terminal
30	PBTC2	-	Terminal of capacity of reproduction equalizer
31	PBFB2	I	Reproduction equalizer return terminal
32	PNRIN2	I	Reproduction equalizer input terminal
33	PBGND	-	Reproduction equalizer system earth terminal
34	PBFIN2	I	Reproduction equalizer input terminal
35	VCT	O	Middle point terminal
36	PBREF	O	Reproduction equalizer standard terminal
37	PBFIN1	I	Reproduction equalizer input terminal
38	PBGND	-	Reproduction equalizer system earth terminal
39	PBRIN1	I	Reproduction equalizer input terminal
40	PBFB1	I	Reproduction equalizer return terminal

■ LC72366-9985 (IC701) : SYSTEM CPU

1. Pin layout



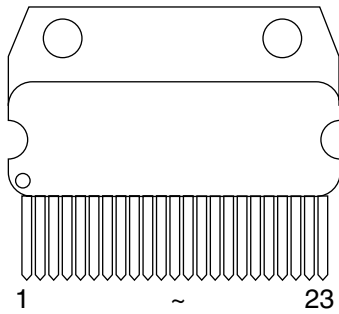
2. Pin function

Pin No.	Symbol	I/O	Function
1	XIN	I	Crystal oscillator input port
2	GND	-	Connect to GND
3	J-BUS SI	I	Data input for J-BUS information
4	J-BUS SO	O	Data output for J-BUS information
5	J-BUS SCK	O	Clock output for J-BUS information
6	J-BUS I/O	O	Switching signal output for J-BUS information I/O, H:Out L:In
7	NC	-	None connection
8	LCD SO	O	Data output for LCD driver
9	LCD SCK	O	Information clock output for LCD driver data
10	LCD CE	O	Chip enable output for LCD driver
11	DIMMER IN	-	None connection
12	EVOL SO	O	Data output for electrical volume
13	EVOL SCK	O	Clock output for electrical volume information
14	NC	-	Non connection
15	TUNER ILLUM	-	Non connection
16	TAPE ILLUM	-	Non connection
17	CD ILLUM	-	Non connection
18	DEMERIT	-	Non connection
19	NC	-	Non connection
20	OPEN	-	Non connection
21	NC	-	Non connection
22	NC	-	Non connection
23	NC	-	Non connection
24	NC	-	Non connection
25	KS1	-	Non connection
26	KS0	O	Diode matrix output port for initial establishing
27	K3	I	Diode matrix output port for initial establishing
28	K2	I	Diode matrix output port for initial establishing
29	K1	-	Non connection
30	K0	I	Diode matrix output port for initial establishing
31	Vdd	-	5V power supply port (+B)
32	TEST	I	Turn on all light indicator of LCD, L: All light a LED indicator
33	FF/REW MODE	O	FF/REW mode select signal output
34	SEEK/STOP	O	H:Auto seek, L: Stop Use both as IF count REQ and Seek/Stop
35	MONO	O	Forced monaural output port, H:Turn on Forced monaural
36	RADIO/TAPE	-	Non connection
37	BEEP LEVEL	-	Non connection
38	PWR-CNT	O	"H" : Turn on power
39	ACC	-	Non connection
40	KICK	-	Non connection

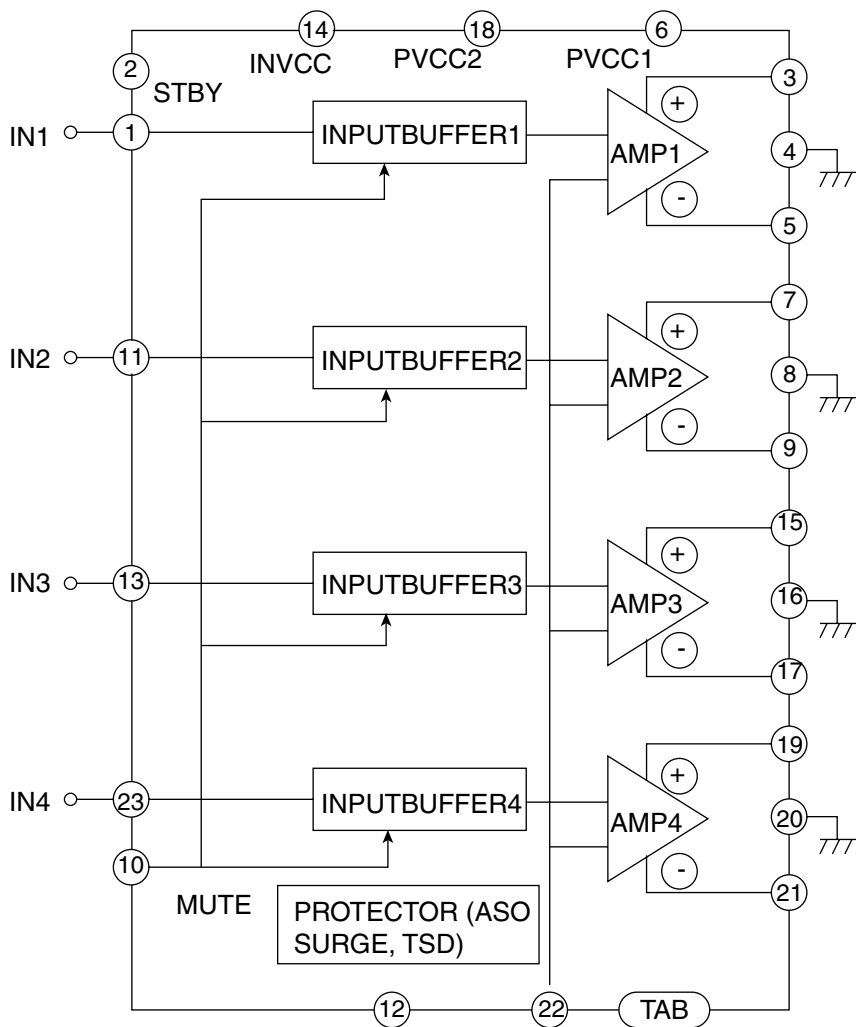
Pin No.	Port Name	I/O	Function
41	MOTOR	O	Main motor output, H:Transport L: Stop
42	SUBMO+	O	Sub-motor output(+), Loading direction to transport output
43	SUBMO-	O	Sub-motor output(-), Eject direction to transport output
44	BEEP	-	Non connection
45	TAPE IN	I	Switch for detecting to input cassette, L: Cassette in
46	STANDBY	I	Switch for detecting standby position
47	REEL	I	Switch for detecting tape end position
48	MODE	I	Detecting mode position input
49	F/R	I	Switch for detecting forward/reverse , H:FWD L:REV
50	MS	I	MS input port,
51	SD/ST	I	Station detector, Stereo signal input, H:SD
52	DETACH	O	Front panel detect
53	ENC1	I	Connect to encoder 1
54	ENC2	I	Connect to encoder 2
55	J-BUS INT	I	Cut in signal detecting port from J-Bus information
56	REMOCON	-	Non connection
57	FM/AM	O	FM/AM mode switching signal port, H:FM L:AM
58	DOLBY	-	Non connection
59	NC	-	Non connection
60	MUTE	O	Mute output port, L:Mute
61	MEM DET	I	Back-up power supply detecting port, H:input L:no input
62	LEVELMETER	I	Pressure voice level voltage input for level meter.
63	S.METER	I	S meter voltage input
64	KEY2	I	Key 2 input port
65	KEY1	I	Key 1 input port
66	KEY0	I	Key 0 input port
67	ACCDET	I	Hold port for Acc detecting, L: Hold mode
68	SENSE	I	Voltage sensor port
69	AM IF COUNT	-	Non connection
70	FM IF COUNT	I	FM frequency detecting
71	NC	-	Non connection
72	NC	-	Non connection
73	Vdd	-	5V power supply (+B)
74	AM OSC	I	Non connection
75	FM OSC	I	FM limited signal input
76	VSS	-	Ground port for power supply
77	NC	-	Non connection
78	E0	O	Error signal output port for PLL
79	TEST1	-	Test port for LSI, To connect ground
80	XOUT	O	4.5MHz crystal oscillator output

■ HA13158A (IC301) : Power amp

1. Pin layout

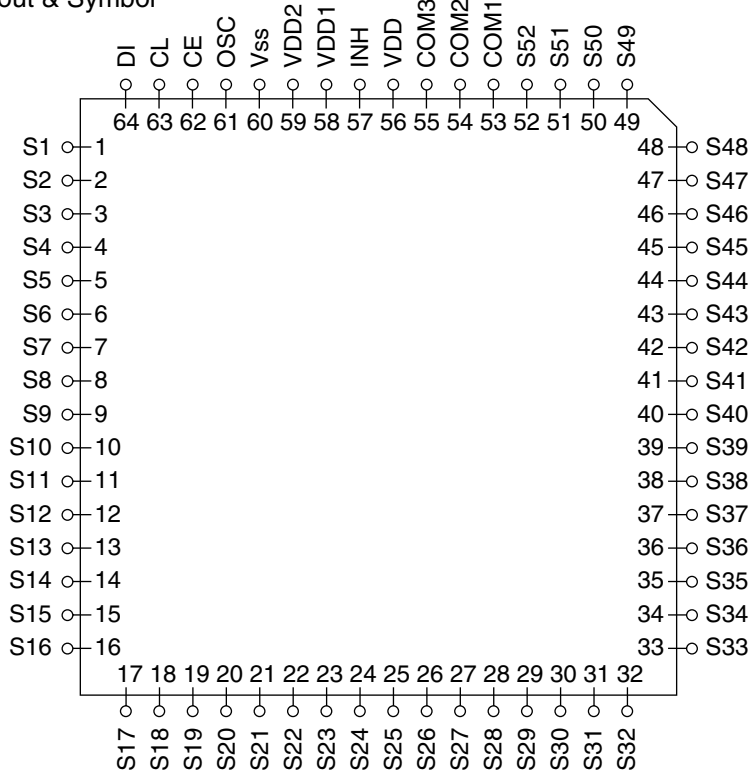


2. Block diagram



■ LC75823W (IC651) : LCD driver

1. Pin Layout & Symbol

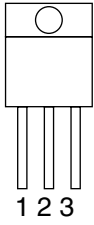


2. Pin Function

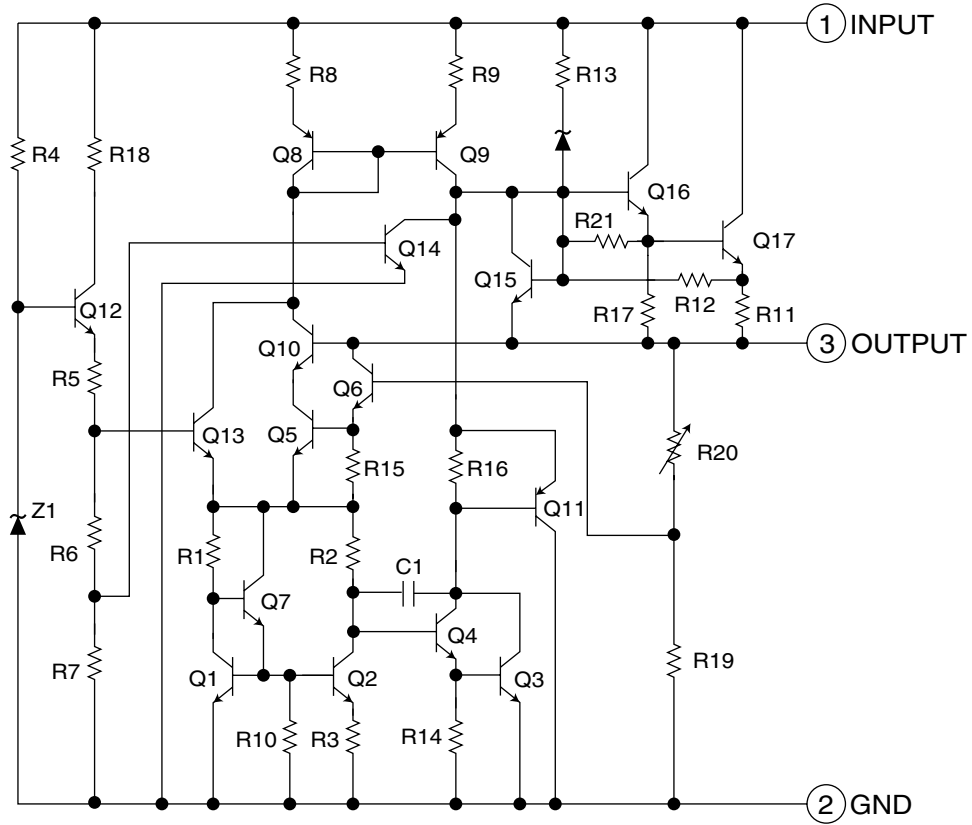
Pin No.	Symbol	I/O	Function
1 to 52	S1 to S52	O	Segment output pins used to display data transferred by serial data input.
53 to 55	COM1 to COM3	O	Common driver output pins. The frame frequency is given by : $t_0=(f_{osc}/384)Hz$.
56	VDD	--	Power supply connection. Provide a voltage of between 4.5 and 6.0V.
57	\overline{INH}	I	Display turning off input pin. $\overline{INT}="L"$ (Vss) ----- off (S1 to S52, COM1 to COM3="L" $\overline{INT}="H"$ (VDD)----- on Serial data can be transferred in display off mode.
58	VDDD1	I	Used for applying the LCD drive 2/3 bias voltage externally. Must be connected to VDD2 when a 1/2 bias drive scheme is used.
59	VDD2	I	Used for applying the LCD drive 1/3 bias voltage externally. Must be connected to VDD1 when a 1/2 bias drive scheme is used.
60	Vss	--	Power supply connection. Connect to GND.
61	OSC	I/O	Oscillator connection. An oscillator circuit is formed by connecting an external resistor and capacitor at this pin.
62	CE		Serial data interface connection CE : Chip enable
63	CL	I	CL : Sync clock
64	DI		DI : Transfer data

■ KIA7810PI (IC902) : Regulator

1.Pin layout

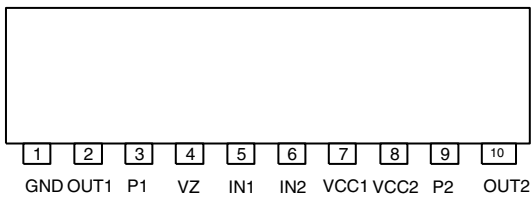


2.Block diagram



■ LB1641 (IC402) : DC motor driver

1. Pin layout

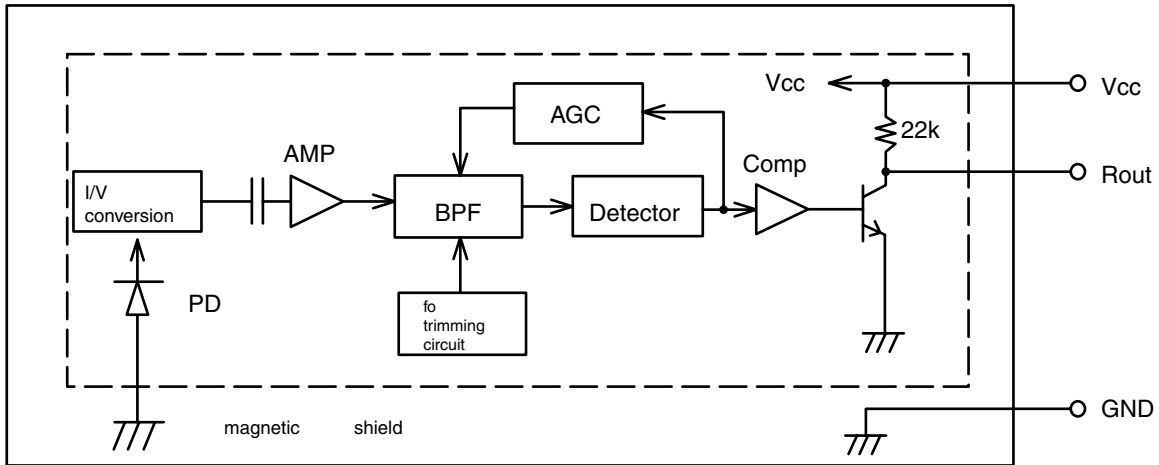


2. Pin function

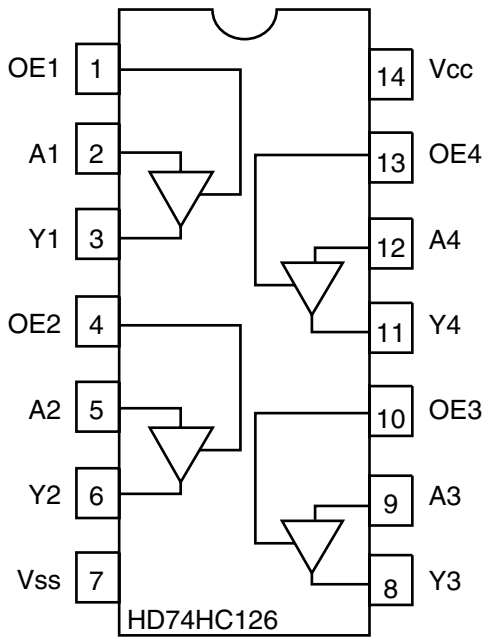
Input		Output		Mode
IN1	IN2	OUT1	OUT2	
0	0	0	0	Brake
1	0	1	0	CLOCKWISE
0	1	0	1	COUNTER-CLOCKWISE
1	1	0	0	Brake

■ RPM6938-SV4(IC652) : Remote Censor

1. Block diagram



■ HD74HC126P (IC801) : Bus buffer





VICTOR COMPANY OF JAPAN, LIMITED
MOBILE ELECTRONICS DIVISION
PERSONAL & MOBILE NETWORK BUSINESS UNIT. 10-1,1Chome,Ohwatari-machi,Maebashi-city,Japan

PARTS LIST

[KS-FX270]

* All printed circuit boards and its assemblies are not available as service parts.

Area suffix

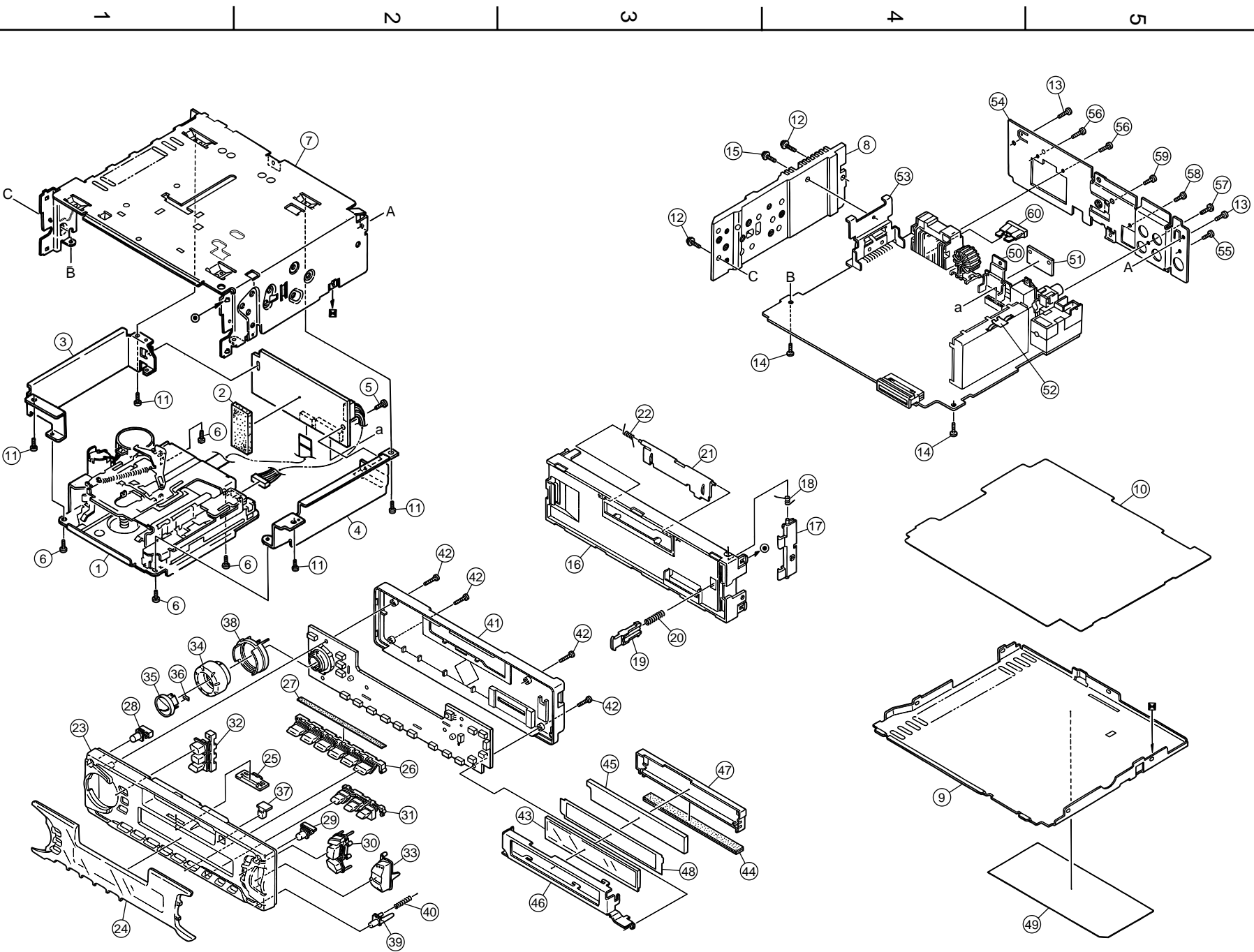
J ----- Northern America

- Contents -

Exploded view of general assembly and parts list	3- 2
Cassette mechanism assembly and parts list	3- 5
Electrical parts list	3-10
Packing materials and accessories parts list	3-14

Exploded view of general assembly and parts list

Block No. [M] 1 [M] [M]



1

2

3

4

5

3-2

A

B

C

Parts list (General assembly)

Block No. M1MM

△	Item	Parts number	Parts name	Q'ty	Description	Area
	1	-----	CASSETTE MECHA	1		
	2	FSYH4036-050	SHEET	1		
	3	FSKL2001-002	MECHA BRACKET(L)	1	LEFT BKT	
	4	FSKL2002-001	MECHA BRACKET(R)	1	RIGHT BKT	
	5	QYSDST2606Z	SCREW	1	PCB+MECHA	
	6	QYSDST2606Z	SCREW	4	MECHA+M.BKT	
	7	FSJC1056-001	CHASSIS BASE	1		
	8	FSMH3001-001	SIDE PANEL	1		
	9	FSKM3011-002	BOTTOM COVER	1		
	10	FSMA3004-003	INSULATOR	1		
	11	QYSDST2604Z	SCREW	4	CHASSIS+MECHA B	
	12	FSKZ4005-001	SCREW	2	CHASSIS+SIDE PA	
	13	QYSDST2604Z	SCREW	2	CHASSIS+REAR BK	
	14	QYSDST2606Z	SCREW	2	CHASSIS+MAIN PW	
	15	FSKZ4005-001	SCREW	1	SIDE PANEL+IC BT	
	16	FSJC1052-002	FRONT CHASSIS	1	WITH RESET HOLE	
	17	FSKS3010-001	LOCK LEVER	1		
	18	FSKW4005-003	TORSION SPRING	1		
	19	FSXP3026-002	RLS KNOB	1		
	20	FSKW3002-004	COMP.SPRING	1		
	21	FSJC3014-003	CASSETTE LID	1		
	22	VKW4947-002	DOOR SPRING	1		
	23	GE10001-001A	FRONT PANEL	1		
	24	GE30101-001A	FINDER LENS	1		
	25	FSJK3014-001	LIGHT LENS	1		
	26	GE20104-001A	PRESET BUTTON	1	1-6	
	27	FSYH4036-031	SHEET	1		
	28	GE30105-002A	POWER BUTTON	1		
	29	GE30109-002A	EJECT BUTTON	1		
	30	GE20110-001C	D.FUNC BUTTON	1		
	31	GE30106-001A	SND FUNC BUTTON	1	SCM	
	32	GE20103-001A	PUSH BUTTON(3)	1		
	33	GE20109-001C	UP/DOWN BUTTON	1		
	34	GE30103-001B	KNOB	1	JOG DIAL	
	35	GE30102-001A	SEL BUTTON	1		
	36	FSYH4036-032	SHEET	1	FOR SEL BUTTON	
	37	FSJK4009-001	REMOTE LENS	1	FOR REMOTE	
	38	GE30104-001A	RIM LENS	1		
	39	FSXP3055-001	DETACH BUTTON	1		
	40	FSKW3002-012	COMP. SPRING	1	FOR DETACH BUTT	
	41	GE10002-001A	REAR COVER	1		
	42	VKZ4777-001	MINI SCREW	4	F.PANEL+REAR CO	
	43	QLD0156-001	LCD	1		
	44	QNZ0440-001	LCD CONNECTOR	1		
	45	FSJK3033-001	LCD LENS	1		
	46	GE30110-001A	LCD CASE	1		
	47	FSKS3020-002	LENS CASE	1		
	48	FSYH4075-002	SHEET	1		

Parts list (General assembly)

Block No. M1MM

△	Item	Parts number	Parts name	Q'ty	Description	Area
	49	GE30136-001A	NAME PLATE	1		
	50	GE40103-001A	REGULAT.BRACKET	1		
	51	GE40107-001A	HEAT SINK	1		
	52	VMA4652-001SS	EARTH PLATE	1		
	53	FSKL4018-00B	IC BRACKET	1		
	54	FSKM3010-011	REAR BRACKET	1		
	55	QYSDST2606Z	SCREW	1	REAR BKT+ANT JAC	
	56	QYSDST2606Z	SCREW	2	REAR BKT+16P CN	
	57	QYSDSF3006Z	SCREW	1	REAR BKT+PIN JAC	
	58	QYSDST2606Z	SCREW	1	REAR BKT+CD IN	
	59	QYSDST2606Z	SCREW	1	REAR BKT+REG IC	
△	60	QMFZ047-100-T	FUSE	1		

Cassette mechanism assembly and parts list

Block No. M 2 M M

CDS-801

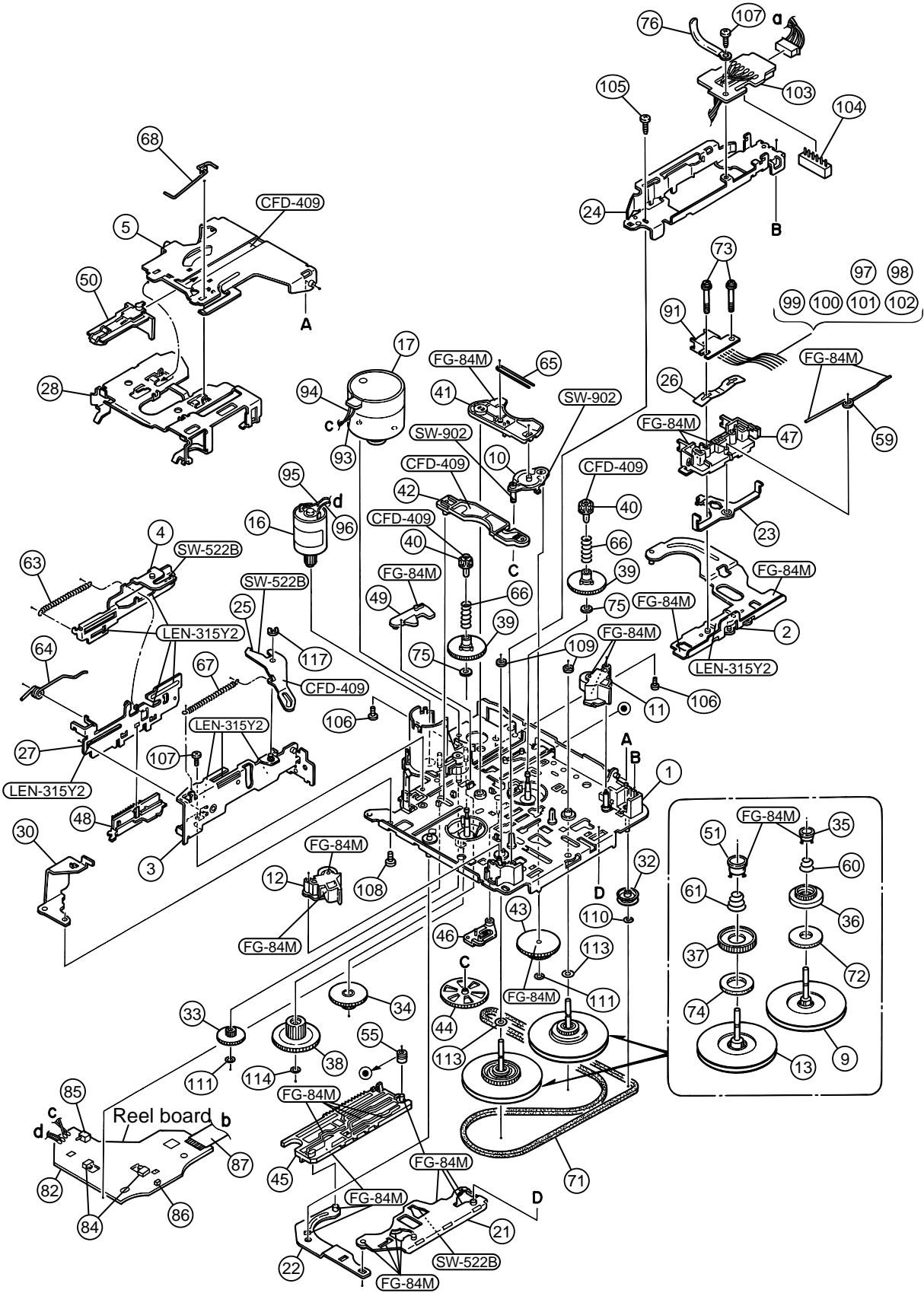
5

4

3

2

1



A

B

C

Parts list (Cassette mechanism)

Block No. M2MM




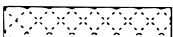

△	Item	Parts number	Parts name	Q'ty	Description	Area
	1	X-0801-1003S	MAIN CHASSIS AS	1		
	2	X-0801-1002S	SLIDE CHASSIS A	1		
	3	X-0801-1008S	SIDE BKT ASS'Y	1		
	4	X-0801-1010S	EJECT CAM LIMIT	1		
	5	X-0801-1013S	CASSETTE HANGER	1		
	9	1-0801-6002S	FLYWHEEL ASSY F	1		
	10	X-0801-2003S	GEAR BASE ASS'Y	1		
	11	X-0801-2021S	PINCH ARM F ASS	1		
	12	X-0801-2022S	PINCH ARM R ASS	1		
	13	1-0801-6003S	FLYWHEEL ASSY R	1		
	16	X-0801-7006S	SUB MOTOR ASS'Y	1		
	17	X-0801-7057S	MAIN MOTOR ASSY	1		
	21	1-0801-1003S	DIRECTION PLATE	1		
	22	1-0801-1004S	DIRECTION LINK	1		
	23	1-0801-1005S	PINCH SPG ARM	1		
	24	1-0801-1006S	CASSETTE GUIDE	1		
	25	1-0801-1007S	LOAD ARM	1		
	26	1-0801-1009S	HEAD SUPT SPG	1		
	27	1-0801-1011S	EJECT CAM PLATE	1		
	28	1-0801-1012S	CASSETTE HOLDER	1		
	30	1-0801-1020S	REINFORCE BRKT	1		
	32	1-0101-2056S	IDLE PULLEY(A1)	1		
	33	1-0801-2004S	REDUCTION GEARA	1		
	34	1-0801-2005S	REDUCTION GEARB	1		
	35	1-0801-2006S	SPG HOLDER F	1		
	36	1-0801-2007S	FRICTION GEARPL	1		
	37	1-0801-2008S	FRICTION GEARFF	1		
	38	1-0801-2009S	MODE GEAR	1		
	39	1-0801-2010S	REEL SPINDLE	2		
	40	1-0801-2011S	REEL DRIVER	2		
	41	1-0801-2014S	GEAR BASE ARM	1		
	42	1-0801-2015S	GEAR BASE LINK	1		
	43	1-0801-2016S	TAKE UP GEAR	1		
	44	1-0801-2017S	REFLECTOR GEAR	1		
	45	1-0801-2018S	MODE RACK	1		
	46	1-0801-2019S	MODE SW ACTUATR	1		
	47	1-0801-2020S	TAPE GUIDE	1		
	48	1-0801-2023S	LOAD RACK	1		
	49	1-0801-2024S	RACK LINK	1		
	50	1-0801-2025S	CASSETTE CATCH	1		
	51	1-0801-2030S	SPG HOLDER R	1		
	55	1-0801-3005S	RACK COLLAR	1		
	59	1-0801-4001S	PINCH ARM SPG	1		
	60	1-0801-4002S	TU SPG	1		
	61	1-0801-4003S	FF SPG	1		
	63	1-0801-4005S	EJECTCAM PLT SP	1		
	64	1-0801-4006S	HOLDER CUSH SPG	1		
	65	1-0801-4007S	GEAR BASE SPG	1		

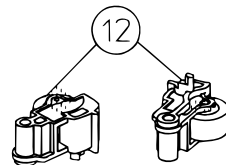
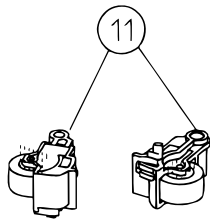
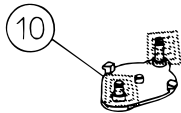
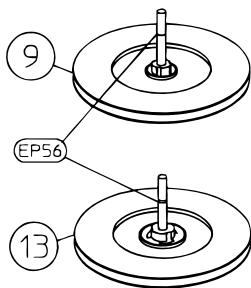
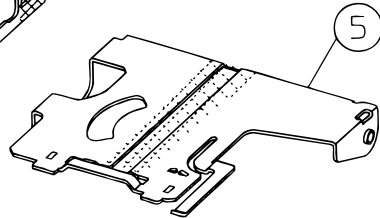
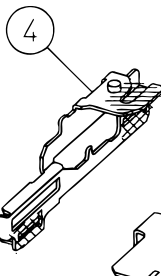
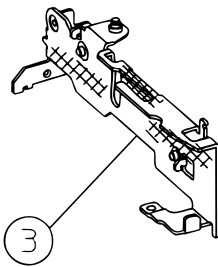
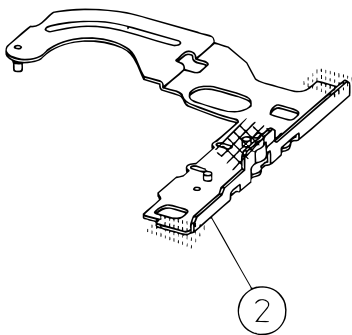
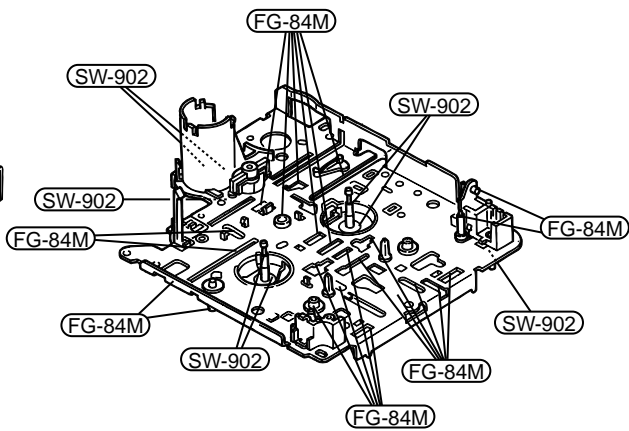
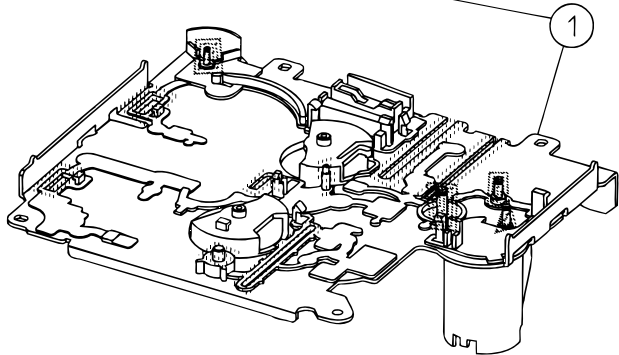
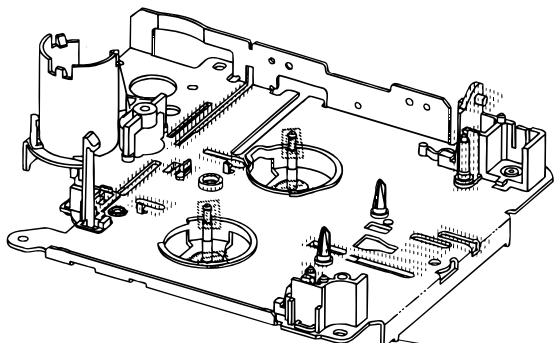
Parts list (Cassette mechanism)

Block No. M2MM

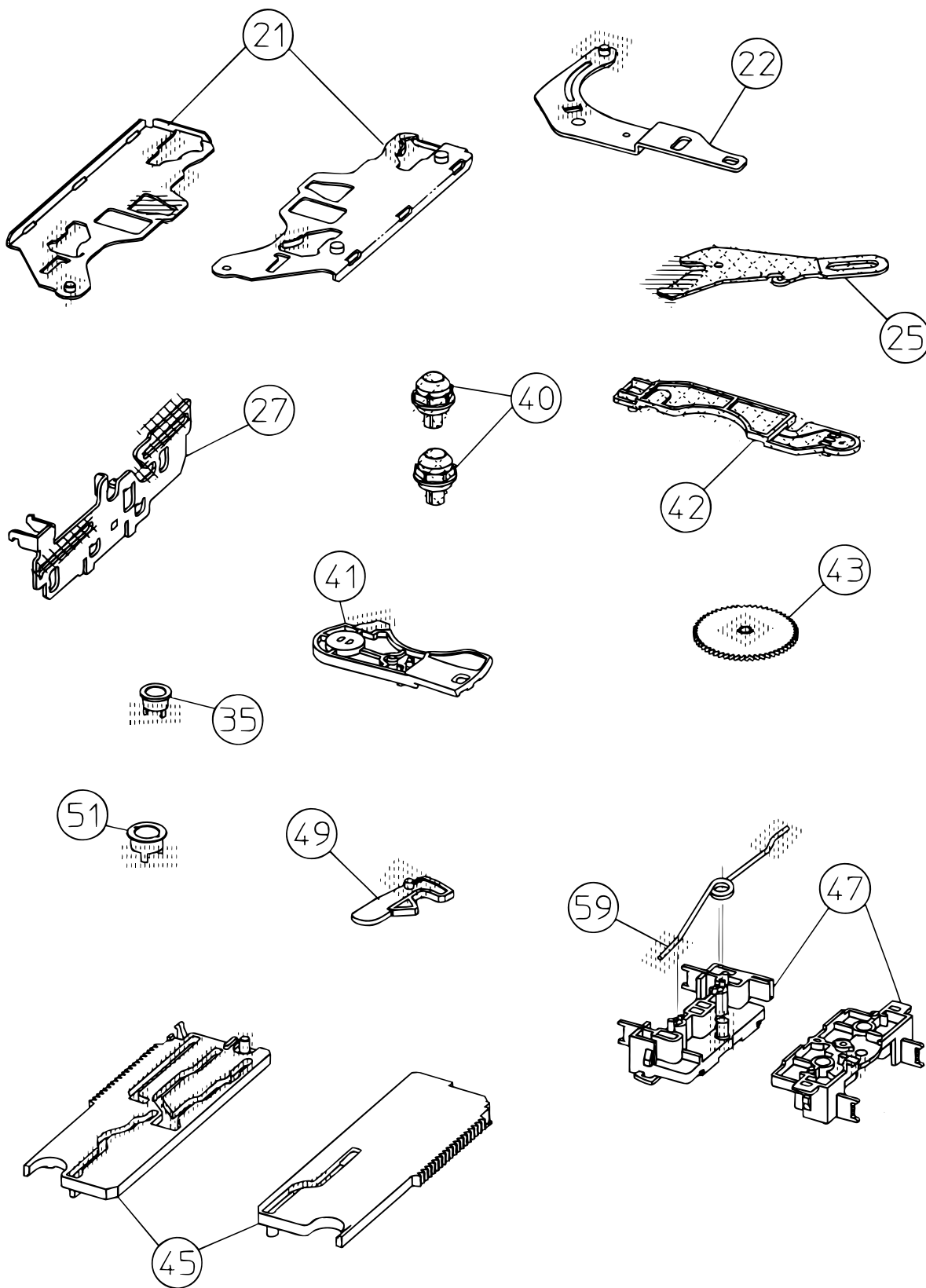
△	Item	Parts number	Parts name	Q'ty	Description	Area
	66	1-0801-4008S	REEL DRIVER SPG	2		
	67	1-0801-4009S	LOAD ARM SPG	1		
	68	1-0801-4011S	HOLDER STAB SPG	1		
	71	1-0801-5001S	BELT	1		
	72	1-0801-5002S	FELT	1	7.5*18.5*1.0	
	73	1-0801-5003S	AZIMUTH SCR	2		
	74	1-0801-5004S	FELT	1	11*18.5*1.0	
	75	1-0801-5005S	REEL WASHER	2		
	76	21732-6280-36S	LUG PLATE	1		
	82	1-0801-7001S	REEL PCB DL	1		
	84	1-0801-7003S	SW(MATSUSHITA)	2	(ESE22MH2L)	
	85	1-0801-7005S	SW	1	(ALPS SPPB64)	
	86	1-0801-7024S	PHOTO SENSOR	1	(ON2170-QR FS)	
	87	1-0801-7026S	FLAT CABLE 10P	1		
	91	1-0801-7014S	HEAD	1	(MITSUMIP-5544)	
	93	10801-7009-0S	M.MOTOR WIRE	1	BLACK	
	94	10801-7009-1S	M.MOTOR WIRE	1	RED	
	95	10801-7010-0S	S.MOTOR WIRE	1	ORANGE	
	96	10801-7010-1S	S.MOTOR WIRE	1	BROWN	
	97	10801-7015-0S	HEAD WIRE BLACK	1		
	98	10801-7015-1S	HEAD WIRE BROWN	1		
	99	10801-7015-2S	HEAD WIRE RED	1		
	100	10801-7015-3S	HEAD WIRE ORANG	1		
	101	10801-7015-4S	HEAD WIRE YELLO	1		
	102	10801-7015-5S	HEAD WIRE WHITE	1		
	103	1-0801-7016S	HEAD PCB	1		
	104	1-0801-7025S	CONN S6B-PH-K-S	1		
	105	21382-3060-C2S	+PLAIN B-TYPE	1	M2.3*6.0	
	106	2-1032-0025-C2S	+SCREW PLAIN	2	M2*2.5	
	107	21332-0035-P1S	S-TYPE PRECISIO	2	M2*3.5	
	108	21112-6035-C2S	+SCREW PLAIN	1	M2.6*3.5	
	109	2-1816-0032-E8S	LMW-S	2	1.6*3.2*0.35	
	110	21812-0032-D2S	PSW-S	1	1.2*3.2*0.25	
	111	1-0036-5024S	PSW-S(REEL B)	2	1.5*3.2*0.25	
	113	2-1821-0040-D1S	PSW	2	2.1*4.0*0.25	
	114	21821-0040-D2S	PSW-S	1	2.1*4.0*0.25	
	117	2-1711-5040-16S	E-RING	1	1.5	

Grease point 1/2

	SW-902
	SW-522B
	FG-84M
	CFD-409
	LEN-315Y2



Grease point 2/2



■ Electrical parts list (Main board)

Block No. 01

△	Item	Parts number	Parts name	Remarks	Area	△	Item	Parts number	Parts name	Remarks	Area
	C 1	QER41CM-106	E CAPACITOR	10MF 20% 16V			C 782	QER41CM-476	E CAPACITOR	47MF 20% 16V	
	C 2	QEK41CM-106	E CAPACITOR	10MF 20% 16V			C 801	QCF11HZ-473	C CAPACITOR	.047MF +80:-20%	
	C 4	QDVB1EZ-223Y	C CAPACITOR				C 901	QEZ0337-228	E CAPACITOR	2200MF	
	C 6	QDYB1CM-103Y	C CAPACITOR				C 902	QER41CM-106	E CAPACITOR	10MF 20% 16V	
	C 8	QCBB1HK-121Y	C CAPACITOR	120PF 10% 50V			C 903	QER41AM-227	E CAPACITOR	220MF 20% 10V	
	C 9	QEKJ1HM-104Z	E CAPACITOR	.10MF 20% 50V			C 904	QER41AM-227	E CAPACITOR	220MF 20% 10V	
	C 10	QDGB1HK-102Y	C CAPACITOR				C 905	QER41CM-106	E CAPACITOR	10MF 20% 16V	
	C 12	QDYB1CM-103Y	C CAPACITOR				C 906	QER41CM-106	E CAPACITOR	10MF 20% 16V	
	C 13	QER41AM-107	E CAPACITOR	100MF 20% 10V			C 907	QER41CM-106	E CAPACITOR	10MF 20% 16V	
	C 31	QEKJ1HM-104Z	E CAPACITOR	.10MF 20% 50V			C 909	QDYB1CM-103Y	C CAPACITOR		
	C 32	QEKJ1HM-104Z	E CAPACITOR	.10MF 20% 50V			C 910	QER41AM-227	E CAPACITOR	220MF 20% 10V	
	C 33	QEQF1HM-225Z	E CAPACITOR	2.2MF 20% 50V			C 911	QFV61HJ-104Z	MF CAPACITOR	.10MF 5% 50V	
	C 34	QDGB1HK-102Y	C CAPACITOR				C 912	QEZ0423-228	E CAPACITOR	2200MF	
	C 35	QER41AM-227	E CAPACITOR	220MF 20% 10V			C 917	QFV11HJ-334AZ	MF CAPACITOR	.33MF 5% 50V	
	C 81	QDX11EK-273Z	C CAPACITOR				CJ321	QNN0170-001	PIN JACK (REEL)		
	C 82	QER41HM-105	E CAPACITOR	1.0MF 20% 50V			CJ701	VMC0334-001	CONNECTOR		
	C 91	QDX11EK-273Z	C CAPACITOR				CP701	QGB1214J1-18S	CONNECTOR		
	C 92	QER41HM-105	E CAPACITOR	1.0MF 20% 50V			CP801	QNZ0095-001	CONNECTOR		
	C 162	QER41HM-105	E CAPACITOR	1.0MF 20% 50V			CP981	QNZ0002-001	16P CONNECTOR		
	C 163	QER41HM-105	E CAPACITOR	1.0MF 20% 50V			D 1	1SS133-T2	SI DIODE		
	C 164	QFLA1HJ-822Z	M CAPACITOR	8200PF 5% 50V			D 2	1SS133-T2	SI DIODE		
	C 165	QFV61HJ-154Z	MF CAPACITOR	.15MF 5% 50V			D 31	MTZJ9.1C-T2	Z DIODE		
	C 166	QFV61HJ-224Z	MF CAPACITOR	.22MF 5% 50V			D 32	1SS133-T2	SI DIODE		
	C 167	QFV61HJ-333Z	MF CAPACITOR	.033MF 5% 50V			D 241	RB721Q-T2	S.B.DIODE		
	C 168	QDXB1CM-682Y	C CAPACITOR				D 242	RB721Q-T2	S.B.DIODE		
	C 172	QER41HM-105	E CAPACITOR	1.0MF 20% 50V			D 310	1SS133-T2	SI DIODE		
	C 173	QER41HM-105	E CAPACITOR	1.0MF 20% 50V			D 321	1SS254-T2	SI DIODE		
	C 174	QFLA1HJ-822Z	M CAPACITOR	8200PF 5% 50V			D 704	1SS133-T2	SI DIODE		
	C 175	QFV61HJ-154Z	MF CAPACITOR	.15MF 5% 50V			D 705	MTZJ5.6B-T2	ZENER DIODE		
	C 176	QFV61HJ-224Z	MF CAPACITOR	.22MF 5% 50V			D 706	MTZJ5.6B-T2	ZENER DIODE		
	C 177	QFV61HJ-333Z	MF CAPACITOR	.033MF 5% 50V			D 707	MTZJ5.6B-T2	ZENER DIODE		
	C 178	QDXB1CM-682Y	C CAPACITOR				D 708	MTZJ5.6B-T2	ZENER DIODE		
	C 181	QER41HM-105	E CAPACITOR	1.0MF 20% 50V			D 709	MTZJ5.6B-T2	ZENER DIODE		
	C 182	QER41HM-105	E CAPACITOR	1.0MF 20% 50V			D 710	MTZJ5.6B-T2	ZENER DIODE		
	C 191	QER41HM-105	E CAPACITOR	1.0MF 20% 50V			D 711	MTZJ5.6B-T2	ZENER DIODE		
	C 192	QER41HM-105	E CAPACITOR	1.0MF 20% 50V			D 712	MTZJ5.6B-T2	ZENER DIODE		
	C 195	QER41CM-476	E CAPACITOR	47MF 20% 16V			D 713	MTZJ5.6B-T2	ZENER DIODE		
	C 196	QER41AM-107	E CAPACITOR	100MF 20% 10V			D 715	MTZJ5.6B-T2	ZENER DIODE		
	C 197	QER41AM-107	E CAPACITOR	100MF 20% 10V			D 718	RB721Q-T2	S.B.DIODE		
	C 198	QDYB1CM-103Y	C CAPACITOR				D 761	QUY150-050Y	BUS WIRE		
	C 199	QCFB1HZ-104Y	C CAPACITOR	.10MF +80:-20%			D 781	1SS254-T2	SI DIODE		
	C 241	QER41HM-105	E CAPACITOR	1.0MF 20% 50V			D 782	MTZJ11B-T2	ZENER DIODE		
	C 242	QERF1CM-226Z	E CAPACITOR	22MF 20% 16V			D 901	1N5401-TU-15	DIODE		
	C 243	QCF11HZ-473	C CAPACITOR	.047MF +80:-20%			D 903	DSK10C-T1	DIODE		
	C 244	QERF1HM-474Z	E CAPACITOR	.47MF 20% 50V			D 904	DSK10C-T1	DIODE		
	C 301	QEK41CM-106	E CAPACITOR	10MF 20% 16V			D902A	1SS254-T2	SI DIODE		
	C 302	QERF1HM-225Z	E CAPACITOR	2.2MF 20% 50V			D902B	QUY150-050Y	BUS WIRE		
	C 303	QERF1EM-475Z	E CAPACITOR	4.7MF 20% 25V			IC161	TEA6320T-X	IC		
	C 304	QDYB1CM-103Y	C CAPACITOR				IC301	HA13158A	IC		
	C 305	QDYB1CM-103Y	C CAPACITOR				IC701	LC72366-9985	IC		
	C 306	QDYB1CM-103Y	C CAPACITOR				IC801	HD74HC126P	IC		
	C 321	QCBB1HK-471Y	C CAPACITOR	470PF 10% 50V			IC901	AN80T05	IC		
	C 331	QCBB1HK-471Y	C CAPACITOR	470PF 10% 50V			IC902	KIA7810PI	IC(M)		
	C 341	QCBB1HK-471Y	C CAPACITOR	470PF 10% 50V			J 1	QNB0100-001	ANTENNA JACK		
	C 351	QCBB1HK-471Y	C CAPACITOR	470PF 10% 50V			L 1	QLL231K-4R7Y	INDUCTOR		
	C 701	QDUB1HJ-270Y	C CAPACITOR				L 901	QQR0703-001	CHOKE COIL		
	C 702	QDCB1HJ-220Y	C CAPACITOR				L 902	QLL231K-470Y	INDUCTOR		
	C 703	QER41CM-106	E CAPACITOR	10MF 20% 16V			L 903	QLL231K-470Y	INDUCTOR		
	C 704	QERF0JM-107Z	E CAPACITOR	100MF 20% 6.3V			Q 4	KRC102M-T	D.TRANSISTOR		
	C 705	QFV61HJ-224Z	MF CAPACITOR	.22MF 5% 50V			Q 31	KTC3199/GL/-T	TRANSISTOR		
	C 707	QCFB1HZ-104Y	C CAPACITOR	.10MF +80:-20%			Q 32	KTC3199/GL/-T	TRANSISTOR		
	C 710	QCFB1HZ-104Y	C CAPACITOR	.10MF +80:-20%			Q 241	KTC3199/GL/-T	TRANSISTOR		
	C 781	QER41AM-227	E CAPACITOR	220MF 20% 10V			Q 301	KRC102M-T	D.TRANSISTOR		

■ Electrical parts list (Main board)

Block No. 01

Item	Parts number	Parts name	Remarks	Area
Q 321	2SD2144S/VW/-T	TRANSISTOR		
Q 351	2SD2144S/VW/-T	TRANSISTOR		
Q 701	KTC3199/GL/-T	TRANSISTOR		
Q 781	KRA102M-T	D.TRANSISTOR		
Q 782	KRA102M-T	D.TRANSISTOR		
Q 901	KTA1267/YG/-T	TRANSISTOR		
Q 902	KRC102M-T	D.TRANSISTOR		
Q 903	KRA102M-T	D.TRANSISTOR		
Q 904	KRC102M-T	D.TRANSISTOR		
Q 905	2SA1706/ST/-T	TRANSISTOR		
Q 906	KRC102M-T	D.TRANSISTOR		
Q 907	KTA1267/YG/-T	SI.TRANSISTOR		
Q 976	KTA1267/YG/-T	TRANSISTOR		
Q 977	KTC3199/GL/-T	TRANSISTOR		
R 1	QRE141J-100Y	C RESISTOR	10 5% 1/4W	
R 4	QRE141J-100Y	C RESISTOR	10 5% 1/4W	
R 6	QRE141J-820Y	C RESISTOR	82 5% 1/4W	
R 7	QRE141J-103Y	C RESISTOR	10K 5% 1/4W	
R 8	QRE141J-822Y	C RESISTOR	8.2K 5% 1/4W	
R 9	QRE141J-223Y	C RESISTOR	22K 5% 1/4W	
R 10	RB721Q-T2	S.B.DIODE		
R 31	QRE141J-102Y	C RESISTOR	1.0K 5% 1/4W	
R 32	QRE141J-102Y	C RESISTOR	1.0K 5% 1/4W	
R 33	QRE141J-102Y	C RESISTOR	1.0K 5% 1/4W	
R 34	QRE141J-103Y	C RESISTOR	10K 5% 1/4W	
R 35	QRE141J-152Y	C RESISTOR	1.5K 5% 1/4W	
R 36	QRE141J-471Y	C RESISTOR	470 5% 1/4W	
R 81	QRE141J-472Y	C RESISTOR	4.7K 5% 1/4W	
R 82	QRE141J-392Y	C RESISTOR	3.9K 5% 1/4W	
R 91	QRE141J-472Y	C RESISTOR	4.7K 5% 1/4W	
R 92	QRE141J-392Y	C RESISTOR	3.9K 5% 1/4W	
R 161	QRE141J-223Y	C RESISTOR	22K 5% 1/4W	
R 162	QRE141J-222Y	C RESISTOR	2.2K 5% 1/4W	
R 163	QRE141J-392Y	C RESISTOR	3.9K 5% 1/4W	
R 164	QRE141J-122Y	C RESISTOR	1.2K 5% 1/4W	
R 171	QRE141J-223Y	C RESISTOR	22K 5% 1/4W	
R 172	QRE141J-222Y	C RESISTOR	2.2K 5% 1/4W	
R 173	QRE141J-392Y	C RESISTOR	3.9K 5% 1/4W	
R 174	QRE141J-122Y	C RESISTOR	1.2K 5% 1/4W	
R 195	QRE141J-100Y	C RESISTOR	10 5% 1/4W	
R 241	QRE141J-154Y	C RESISTOR	150K 5% 1/4W	
R 242	QRE141J-154Y	C RESISTOR	150K 5% 1/4W	
R 243	QRE141J-184Y	C RESISTOR	180K 5% 1/4W	
R 244	QRE141J-223Y	C RESISTOR	22K 5% 1/4W	
R 245	QRE141J-123Y	C RESISTOR	12K 5% 1/4W	
R 246	QRE141J-101Y	C RESISTOR	100 5% 1/4W	
R 247	QRE141J-102Y	C RESISTOR	1.0K 5% 1/4W	
R 248	QRE141J-563Y	C RESISTOR	56K 5% 1/4W	
R 301	QRE141J-472Y	C RESISTOR	4.7K 5% 1/4W	
R 302	QRE141J-303Y	C RESISTOR	30K 5% 1/4W	
R 303	QRE141J-102Y	C RESISTOR	1.0K 5% 1/4W	
R 321	QRE141J-273Y	C RESISTOR	27K 5% 1/4W	
R 322	QRE141J-823Y	C RESISTOR	82K 5% 1/4W	
R 325	QRE141J-222Y	C RESISTOR	2.2K 5% 1/4W	
R 331	QRE141J-273Y	C RESISTOR	27K 5% 1/4W	
R 332	QRE141J-823Y	C RESISTOR	82K 5% 1/4W	
R 341	QRE141J-273Y	C RESISTOR	27K 5% 1/4W	
R 342	QRE141J-823Y	C RESISTOR	82K 5% 1/4W	
R 343	QRE141J-102Y	C RESISTOR	1.0K 5% 1/4W	
R 344	QRE141J-101Y	C RESISTOR	100 5% 1/4W	
R 351	QRE141J-273Y	C RESISTOR	27K 5% 1/4W	
R 352	QRE141J-823Y	C RESISTOR	82K 5% 1/4W	
R 353	QRE141J-102Y	C RESISTOR	1.0K 5% 1/4W	
R 354	QRE141J-101Y	C RESISTOR	100 5% 1/4W	
R 355	QRE141J-222Y	C RESISTOR	2.2K 5% 1/4W	

Item	Parts number	Parts name	Remarks	Area
R 701	QRE141J-473Y	C RESISTOR	47K 5% 1/4W	
R 702	QRE141J-473Y	C RESISTOR	47K 5% 1/4W	
R 703	QRE141J-472Y	C RESISTOR	4.7K 5% 1/4W	
R 704	QRE141J-472Y	C RESISTOR	4.7K 5% 1/4W	
R 705	QRE141J-472Y	C RESISTOR	4.7K 5% 1/4W	
R 706	QRE141J-472Y	C RESISTOR	4.7K 5% 1/4W	
R 708	QRE141J-472Y	C RESISTOR	4.7K 5% 1/4W	
R 709	QRE141J-473Y	C RESISTOR	47K 5% 1/4W	
R 710	QRE141J-473Y	C RESISTOR	47K 5% 1/4W	
R 711	QRE141J-473Y	C RESISTOR	47K 5% 1/4W	
R 712	QRE141J-473Y	C RESISTOR	47K 5% 1/4W	
R 713	QRE141J-563Y	C RESISTOR	56K 5% 1/4W	
R 714	QRE141J-473Y	C RESISTOR	47K 5% 1/4W	
R 716	QRE141J-473Y	C RESISTOR	47K 5% 1/4W	
R 717	QRE141J-472Y	C RESISTOR	4.7K 5% 1/4W	
R 718	QRE141J-472Y	C RESISTOR	4.7K 5% 1/4W	
R 719	QRE141J-472Y	C RESISTOR	4.7K 5% 1/4W	
R 720	QRE141J-472Y	C RESISTOR	4.7K 5% 1/4W	
R 721	QRE141J-222Y	C RESISTOR	2.2K 5% 1/4W	
R 722	QRE141J-222Y	C RESISTOR	2.2K 5% 1/4W	
R 723	QRE141J-222Y	C RESISTOR	2.2K 5% 1/4W	
R 724	QRE141J-332Y	C RESISTOR	3.3K 5% 1/4W	
R 725	QRE141J-332Y	C RESISTOR	3.3K 5% 1/4W	
R 727	QRE141J-473Y	C RESISTOR	47K 5% 1/4W	
R 728	QRE141J-222Y	C RESISTOR	2.2K 5% 1/4W	
R 729	QRE141J-222Y	C RESISTOR	2.2K 5% 1/4W	
R 730	QRE141J-222Y	C RESISTOR	2.2K 5% 1/4W	
R 731	QRE141J-472Y	C RESISTOR	4.7K 5% 1/4W	
R 733	QRE141J-103Y	C RESISTOR	10K 5% 1/4W	
R 734	QRE141J-103Y	C RESISTOR	10K 5% 1/4W	
R 735	QRE141J-103Y	C RESISTOR	10K 5% 1/4W	
R 736	QRE141J-103Y	C RESISTOR	10K 5% 1/4W	
R 737	QRE141J-103Y	C RESISTOR	10K 5% 1/4W	
R 738	QRE141J-222Y	C RESISTOR	2.2K 5% 1/4W	
R 741	QRE141J-103Y	C RESISTOR	10K 5% 1/4W	
R 742	QRE141J-103Y	C RESISTOR	10K 5% 1/4W	
R 743	QRE141J-472Y	C RESISTOR	4.7K 5% 1/4W	
R 746	QRE141J-473Y	C RESISTOR	47K 5% 1/4W	
R 747	QRE141J-473Y	C RESISTOR	47K 5% 1/4W	
R 750	QRE141J-243Y	C RESISTOR	24K 5% 1/4W	
R 801	QRE141J-104Y	C RESISTOR	100K 5% 1/4W	
R 802	QRE141J-104Y	C RESISTOR	100K 5% 1/4W	
R 803	QRE141J-101Y	C RESISTOR	100 5% 1/4W	
R 804	QRE141J-334Y	C RESISTOR	330K 5% 1/4W	
R 805	QRE141J-334Y	C RESISTOR	330K 5% 1/4W	
R 806	QRE141J-104Y	C RESISTOR	100K 5% 1/4W	
R 807	QRE141J-101Y	C RESISTOR	100 5% 1/4W	
R 808	QRE141J-223Y	C RESISTOR	22K 5% 1/4W	
R 809	QRE141J-103Y	C RESISTOR	10K 5% 1/4W	
R 810	QRE141J-104Y	C RESISTOR	100K 5% 1/4W	
R 811	QRE141J-682Y	C RESISTOR	6.8K 5% 1/4W	
R 812	QRE141J-242Y	C RESISTOR	2.4K 5% 1/4W	
R 813	QRE141J-242Y	C RESISTOR	2.4K 5% 1/4W	
R 814	QRE141J-682Y	C RESISTOR	6.8K 5% 1/4W	
R 901	QRE141J-101Y	C RESISTOR	100 5% 1/4W	
R 902	QRE141J-682Y	C RESISTOR	6.8K 5% 1/4W	
R 903	QRE141J-113Y	C RESISTOR	11K 5% 1/4W	
R 908	QRE141J-473Y	C RESISTOR	47K 5% 1/4W	
R 909	QRE141J-102Y	C RESISTOR	1.0K 5% 1/4W	
R 976	QRE141J-433Y	C RESISTOR	43K 5% 1/4W	
R 977	QRE141J-683Y	C RESISTOR	68K 5% 1/4W	
R 978	QRE141J-273Y	C RESISTOR	27K 5% 1/4W	
R 979	QRE141J-473Y	C RESISTOR	47K 5% 1/4W	
TU 1	QAU0205-001	FM FRONT END		
X 701	QAX0406-001Z	CRYSTAL		

■ Electrical parts list (Mecha control board)

Block No. 02

△	Item	Parts number	Parts name	Remarks	Area
	C 401	NDC31HJ-101X	C CAPACITOR		
	C 402	NDC31HJ-101X	C CAPACITOR		
	C 403	NDC31HJ-101X	C CAPACITOR		
	C 404	NDC31HJ-101X	C CAPACITOR		
	C 405	NDC31HJ-101X	C CAPACITOR		
	C 406	NDC31HJ-101X	C CAPACITOR		
	C 407	NDC31HJ-101X	C CAPACITOR		
	C 408	NDC31HJ-101X	C CAPACITOR		
	C 409	QEKJ1CM-226Z	E CAPACITOR	22MF 20% 16V	
	C 410	QFV61HJ-153Z	MF CAPACITOR	.015MF 5% 50V	
	C 411	QFV61HJ-153Z	MF CAPACITOR	.015MF 5% 50V	
	C 412	NCB31EK-104X	C CAPACITOR		
	C 413	NCB31EK-104X	C CAPACITOR		
	C 414	QEKJ1CM-226Z	E CAPACITOR	22MF 20% 16V	
	C 415	NCB31EK-103X	C CAPACITOR		
	C 418	NDC31HJ-221X	C CAPACITOR		
	C 419	QEK41HM-474	E CAPACITOR	.47MF 20% 50V	
	C 421	NCB31HK-103X	C CAPACITOR		
	C 422	NCB31EK-104X	C CAPACITOR		
	C 423	QER41CM-106	E CAPACITOR	10MF 20% 16V	
	C 424	NCB31EK-104X	C CAPACITOR		
	C 425	NCB31HK-103X	C CAPACITOR		
	CN401	QGB1214K1-18S	CONNECTOR		
	CN402	VMP3501-001	CONN.WIRE ASSY		
	CN403	QGF1219F1-10S	CONN.TERMINAL		
	D 401	MA3047/H/-X	ZENER DIODE		
	D 402	DSK10C-T1	DIODE		
	IC401	CXA2559Q	IC		
	IC402	LB1641	IC		
	Q 402	DTC114EKA-X	TRANSISTOR		
	Q 403	2SB1322/RS/-T	TRANSISTOR		
	R 401	NRS181J-391X	MG RESISTOR		
	R 402	NRSA63J-104X	MG RESISTOR		
	R 403	NRSA63J-104X	MG RESISTOR		
	R 404	NRSA63J-104X	MG RESISTOR		
	R 405	NRSA63J-104X	MG RESISTOR		
	R 406	NRSA63J-181X	MG RESISTOR		
	R 407	NRSA63J-181X	MG RESISTOR		
	R 408	NRSA63J-123X	MG RESISTOR		
	R 409	NRSA63J-243X	MG RESISTOR		
	R 410	NRSA63J-243X	MG RESISTOR		
	R 411	NRSA63J-123X	MG RESISTOR		
	R 412	NRSA02J-101X	MG RESISTOR		
	R 413	NRSA63J-183X	MG RESISTOR		
	R 414	NRSA63J-392X	MG RESISTOR		
	R 415	NRSA63J-223X	MG RESISTOR		
	R 416	NRSA63J-914X	MG RESISTOR		
	R 417	NRSA63J-103X	MG RESISTOR		
	R 418	NRSA63J-153X	MG RESISTOR		
	R 422	NRSA02J-332X	MG RESISTOR		
	R 423	NRS181J-473X	MG RESISTOR		
	R 424	NRSA02J-332X	MG RESISTOR		
	R 425	NRS181J-330X	MG RESISTOR		
	R 426	QUY150-050Y	BUS WIRE		

■ Electrical parts list (Front board)

Block No. 03

△	Item	Parts number	Parts name	Remarks	Area
	C 651	NCB31HK-103X	C CAPACITOR		
	C 652	NBE20JM-475X	TS E CAPACITOR		
	C 653	NCB21HK-681X	C CAPACITOR		
	C 654	NBE20JM-475X	TS E CAPACITOR		
	CP701	VMC0335-001	CONNECTOR		
	D 601	SML-310LT/MN/-X	LED		
	D 602	LNJ308G81/1-3/X	LED		
	D 603	LNJ308G81/1-3/X	LED		
	D 604	LNJ308G81/1-3/X	LED		
	D 605	LNJ308G81/1-3/X	LED		
	D 606	LNJ308G81/1-3/X	LED		
	D 607	LNJ308G81/1-3/X	LED		
	D 608	LNJ308G81/1-3/X	LED		
	D 609	LNJ308G81/1-3/X	LED		
	D 610	LNJ308G81/1-3/X	LED		
	D 611	SML-310DT/KL/-X	LED		
	D 612	LNJ308G81/1-3/X	LED		
	D 614	LNJ308G81/1-3/X	LED		
	D 615	LNJ308G81/1-3/X	LED		
	D 616	LNJ308G81/1-3/X	LED		
	D 617	LNJ308G81/1-3/X	LED		
	D 618	LNJ308G81/1-3/X	LED		
	D 619	LNJ308G81/1-3/X	LED		
	D 620	LNJ308G81/1-3/X	LED		
	D 621	LNJ308G81/1-3/X	LED		
	D 622	LNJ308G81/1-3/X	LED		
	D 623	LNJ308G81/1-3/X	LED		
	D 625	LNJ308G81/1-3/X	LED		
	D 626	LNJ308G81/1-3/X	LED		
	D 627	LNJ308G81/1-3/X	LED		
	D 652	MA152WA-X	DIODE		
	D 653	MA152WA-X	DIODE		
	D 654	MA152WK-X	SI DIODE		
	D 655	MA152WK-X	SI DIODE		
	D 657	MA3062/H/-X	ZENER DIODE		
	IC651	LC75823W	IC		
	IC652	RPM6938-SV4	IC		
	JS601	QSW0793-001	ROTARY ENCODER		
	PL601	QLL0033-003	LAMP	BLUE CAP	
	PL603	QLL0033-003	LAMP	BLUE CAP	
	R 601	NRSA63J-681X	MG RESISTOR		
	R 602	NRSA63J-561X	MG RESISTOR		
	R 603	NRSA63J-681X	MG RESISTOR		
	R 604	NRSA63J-911X	MG RESISTOR		
	R 605	NRSA63J-122X	MG RESISTOR		
	R 606	NRSA63J-152X	MG RESISTOR		
	R 607	NRSA63J-681X	MG RESISTOR		
	R 608	NRSA63J-561X	MG RESISTOR		
	R 609	NRSA63J-681X	MG RESISTOR		
	R 610	NRSA63J-911X	MG RESISTOR		
	R 611	NRSA63J-122X	MG RESISTOR		
	R 612	NRSA63J-152X	MG RESISTOR		
	R 613	NRSA63J-681X	MG RESISTOR		
	R 614	NRSA63J-561X	MG RESISTOR		
	R 615	NRSA63J-681X	MG RESISTOR		
	R 616	NRSA63J-911X	MG RESISTOR		
	R 617	NRSA63J-122X	MG RESISTOR		
	R 631	NRSA63J-821X	MG RESISTOR		
	R 634	NRSA02J-561X	MG RESISTOR		
	R 635	NRSA63J-681X	MG RESISTOR		
	R 636	NRSA63J-271X	MG RESISTOR		
	R 637	NRSA02J-271X	MG RESISTOR		
	R 638	NRSA63J-271X	MG RESISTOR		

△	Item	Parts number	Parts name	Remarks	Area
	R 639	NRSA02J-471X	MG RESISTOR		
	R 640	NRSA63J-471X	MG RESISTOR		
	R 641	NRSA02J-821X	MG RESISTOR		
	R 651	NRSA63J-152X	MG RESISTOR		
	R 652	NRSA02J-473X	MG RESISTOR		
	R 653	NRSA63J-184X	MG RESISTOR		
	R 654	NRSA63J-103X	MG RESISTOR		
	R 655	NRSA63J-103X	MG RESISTOR		
	R 656	NRSA63J-103X	MG RESISTOR		
	R 657	NRSA63J-103X	MG RESISTOR		
	R 658	NRSA63J-470X	MG RESISTOR		
	R 663	NRSA63J-101X	MG RESISTOR		
	S 601	NSW0066-001X	TACT SWITCH		
	S 602	NSW0066-001X	TACT SWITCH		
	S 603	NSW0066-001X	TACT SWITCH		
	S 604	NSW0066-001X	TACT SWITCH		
	S 605	NSW0066-001X	TACT SWITCH		
	S 606	NSW0066-001X	TACT SWITCH		
	S 607	NSW0066-001X	TACT SWITCH		
	S 608	NSW0066-001X	TACT SWITCH		
	S 609	NSW0066-001X	TACT SWITCH		
	S 610	NSW0066-001X	TACT SWITCH		
	S 611	NSW0066-001X	TACT SWITCH		
	S 612	NSW0066-001X	TACT SWITCH		
	S 613	NSW0066-001X	TACT SWITCH		
	S 614	NSW0066-001X	TACT SWITCH		
	S 615	NSW0066-001X	TACT SWITCH		
	S 616	NSW0066-001X	TACT SWITCH		
	S 617	NSW0066-001X	TACT SWITCH		
	S 618	NSW0066-001X	TACT SWITCH		
	S 619	NSW0066-001X	TACT SWITCH		
	S 620	NSW0066-001X	TACT SWITCH		

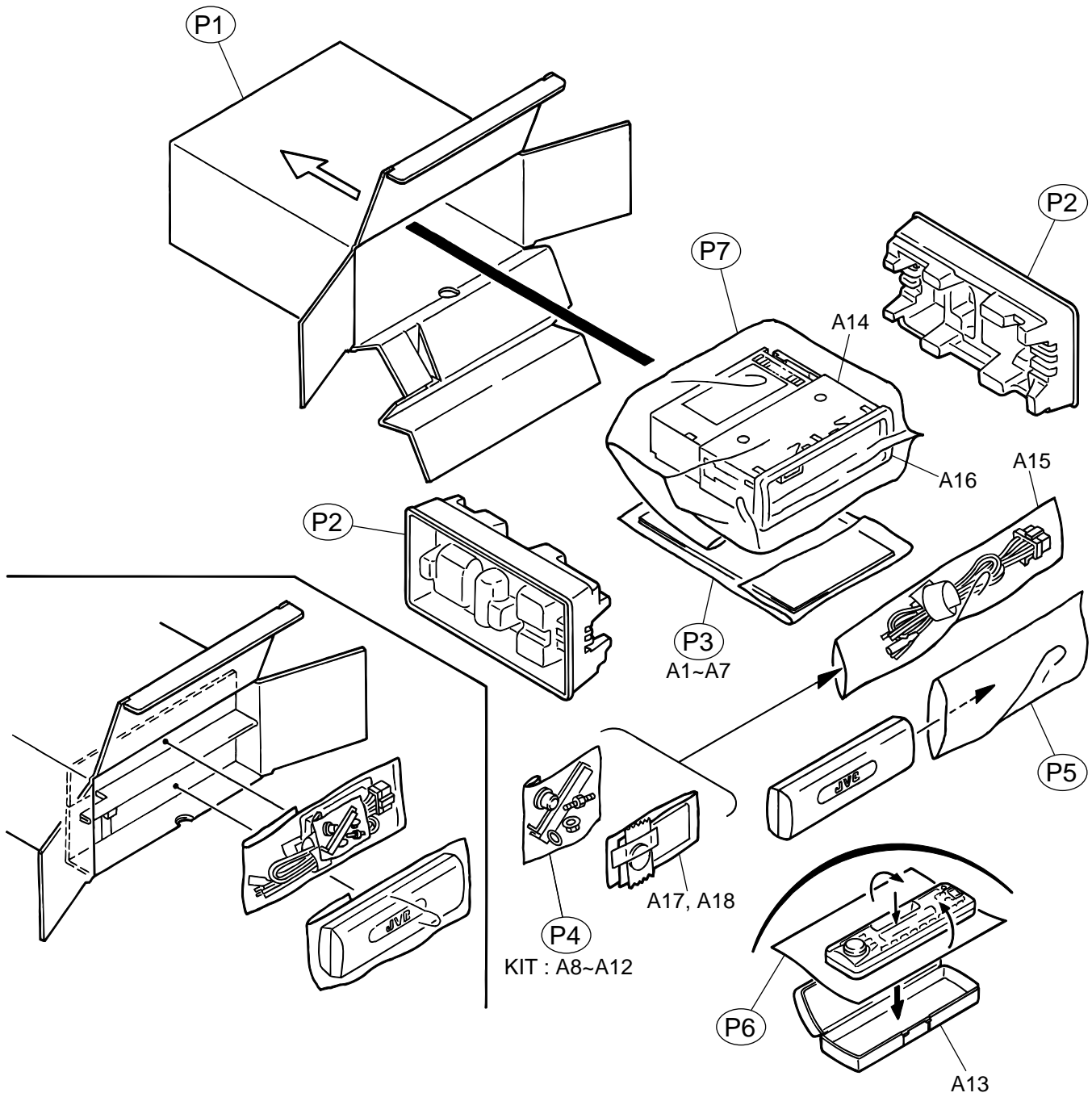
Packing materials and accessories parts list

Block No.

M	3	M	M
---	---	---	---

Block No.

M	4	M	M
---	---	---	---



Parts list (Packing)

Block No. M3MM

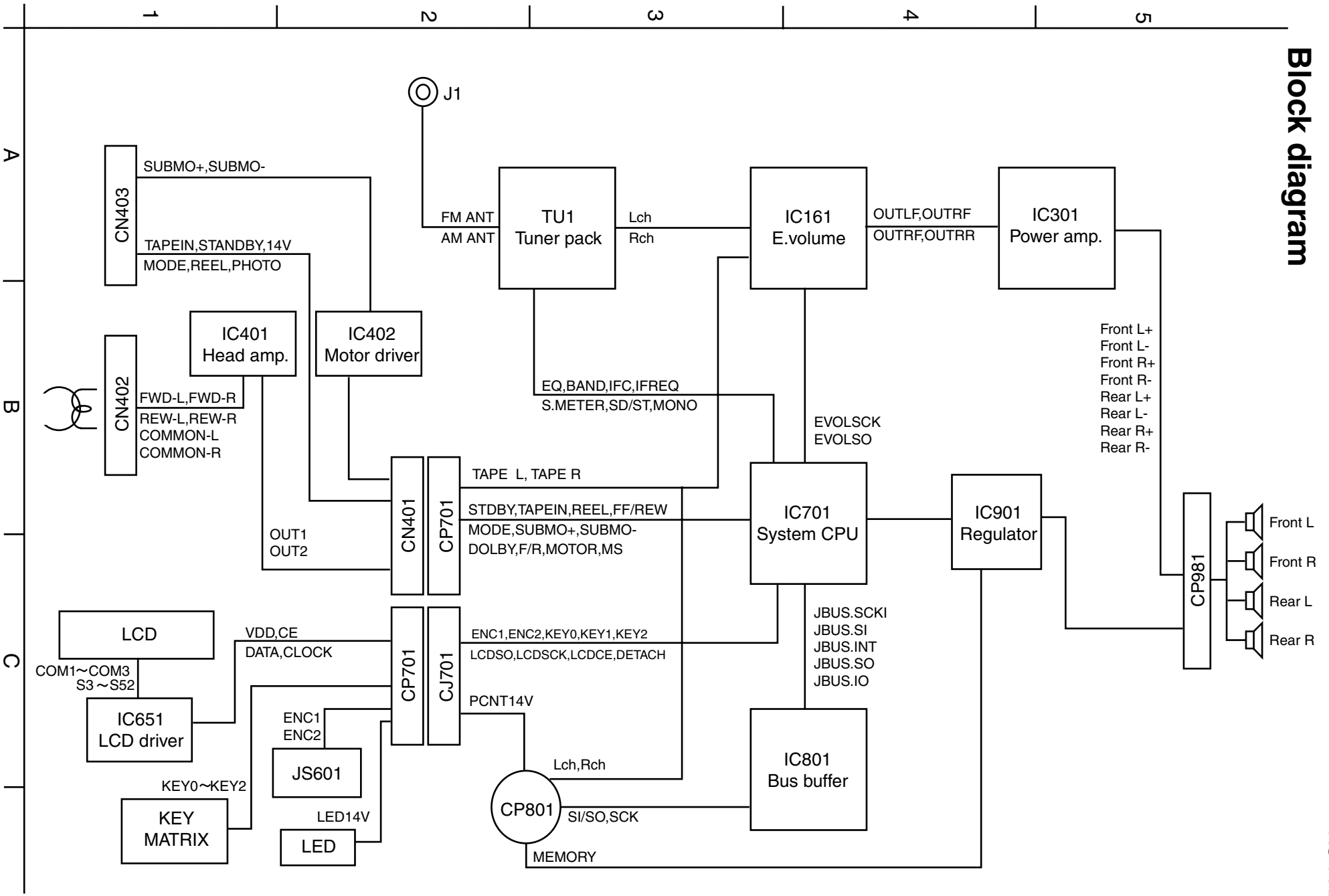
△	Item	Parts number	Parts name	Q'ty	Description	Area
	P 1	GE30121-001A	PACKING CASE	1		
	P 2	GE10007-001A	CUSHION	2	LEFT/RIGHT SIDE	
	P 3	FSPG4002-001	POLY BAG	1	INST.BOOK	
	P 4	QPA00801205	POLY BAG	1		
	P 5	QPA01003003	POLY BAG	1		
	P 6	FSYH4036-068	SHEET	1		
	P 7	QPC03004315P	POLY BAG	1		

Parts list (Accessories)

Block No. M4MM

△	Item	Parts number	Parts name	Q'ty	Description	Area
	A 1	GET0008-001A	INST.BOOK	1	ENG.SPA,FRE	
	A 2	GET0008-002A	INST.SHEET	1	ENG.SPA,FRE	
	A 3	LVT0328-001B	TROUBLE SHOOTIN	1		
	A 4	LV41679-001A	INFO. SHEET	1	BEFORE ELEC CON	
	A 5	BT-51018-2	WARRANTY CARD	1	FOR J	
		BT-52004-1	WARRANTY CARD	1	FOR C	
	A 6	BT-51020-2	J=REGIST CARD	1	FOR J	
	A 7	BT-20071B	JVC CENTER LIST	1	FOR C	
	A 8	VKZ4027-202	PLUG NUT	1		
	A 9	VKH4871-001SS	MOUNT BOLT	1		
	A 10	VKZ4328-001	LOCK NUT	1	FOR M5	
	A 11	WNS5000Z	WASHER	1		
	A 12	FSKL4010-002	HOOK	2		
	A 13	FSJB3001-30C	HARD CASE	1		
	A 14	FSKM2004-202	MOUNTING SLEEVE	1		
	A 15	QAM0013-006	16P CORD ASS'Y	1		
	A 16	FSJD2034-001	TRIM PLATE	1		
	A 17	RM-RK31	REMOCON	1		
	A 18	QAB0014-001	BATTERY	1		
	KIT	KDGS717K-SCREW1	SCREW PARTS KIT	1	A8-A12	

Block diagram



< MEMO >

Standard schematic diagrams

Tuner & Main amp.section

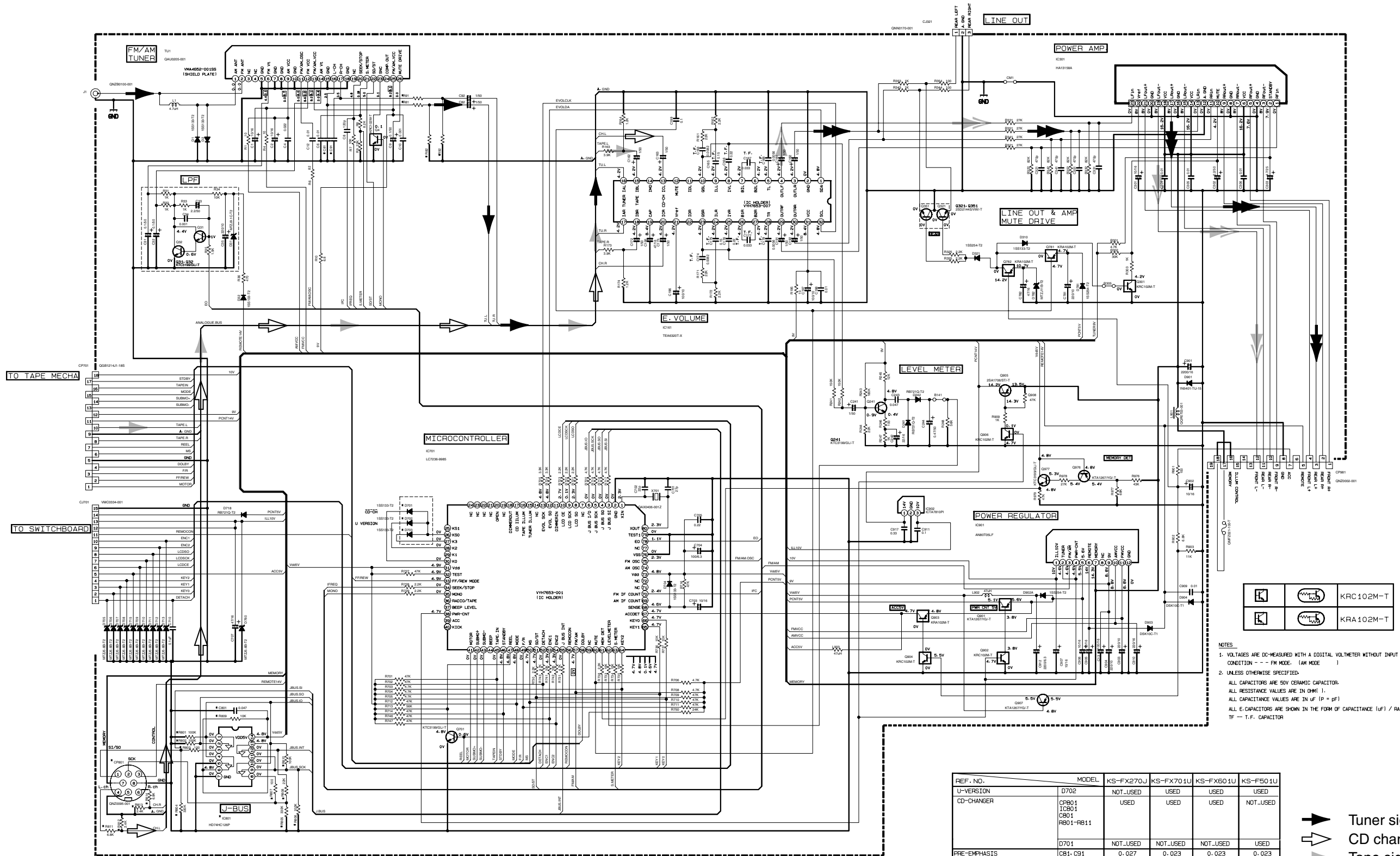
5

4

3

2

1



		KRC102M-T
		KRA102M-T

- NOTES
1. VOLTAGES ARE DC-MEASURED WITH A DIGITAL VOLTMETER WITHOUT INPUT SIGNAL. CONDITION -- FM MODE. (AM MODE)
 2. UNLESS OTHERWISE SPECIFIED:
 ALL CAPACITORS ARE 50V CERAMIC CAPACITOR.
 ALL RESISTANCE VALUES ARE IN OHM (Ω).
 ALL CAPACITANCE VALUES ARE IN uF (μF) / P + pF.
 ALL E-CAPACITORS ARE SHOWN IN THE FORM OF CAPACITANCE (uF) / RATED VOLTAGE.
 TF -- T.F. CAPACITOR

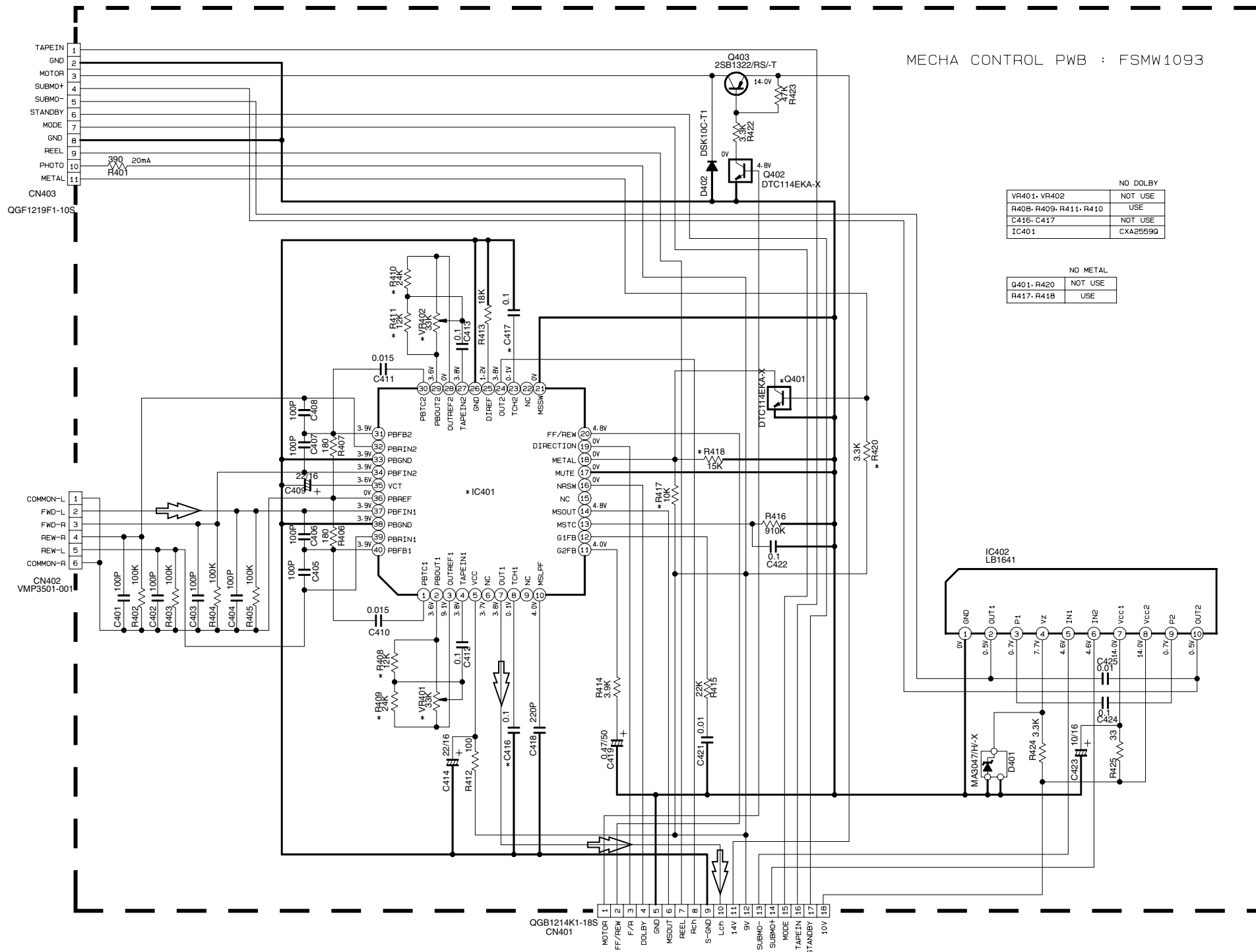
REF. NO.	MODEL	KS-FX270J	KS-FX701U	KS-FX601U	KS-F501U
U-VERSION	D702	NOT_USED	USED	USED	USED
CD-CHANGER	CP801 IC801 CB01 RB01-RB11	USED	USED	USED	NOT_USED
PRE-EMPHASIS	D701	NOT_USED	NOT_USED	NOT_USED	USED
	CB1-C91	0.027	0.023	0.023	0.023
	RB1-RB1	4.7K	2.7K	2.7K	2.7K
	RB2-RB2	3.9K	5.6K	5.6K	5.6K

- Tuner signal
- CD changer signal
- Tape signal
- Front signal
- Rear signal

MAIN BOARD : GEB10001-001B

Note:s/Cjes/3166ma.001 FSDH3166AV 1/3
KS-FX270J,KS-FX701U,KS-FX601U,KS-FX501U

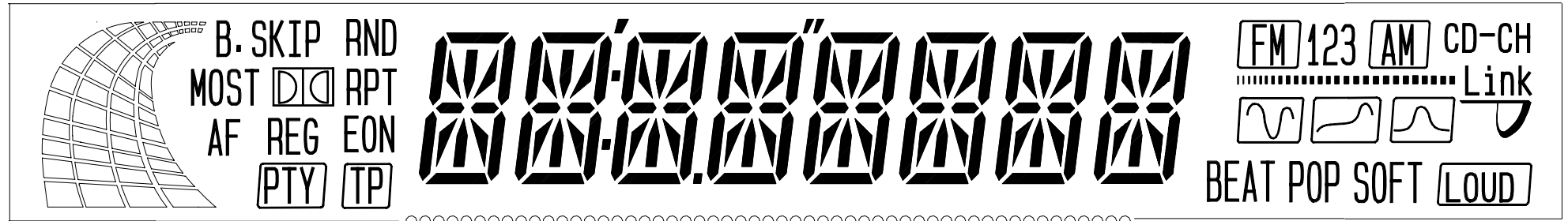
Head amp.Mecha control section



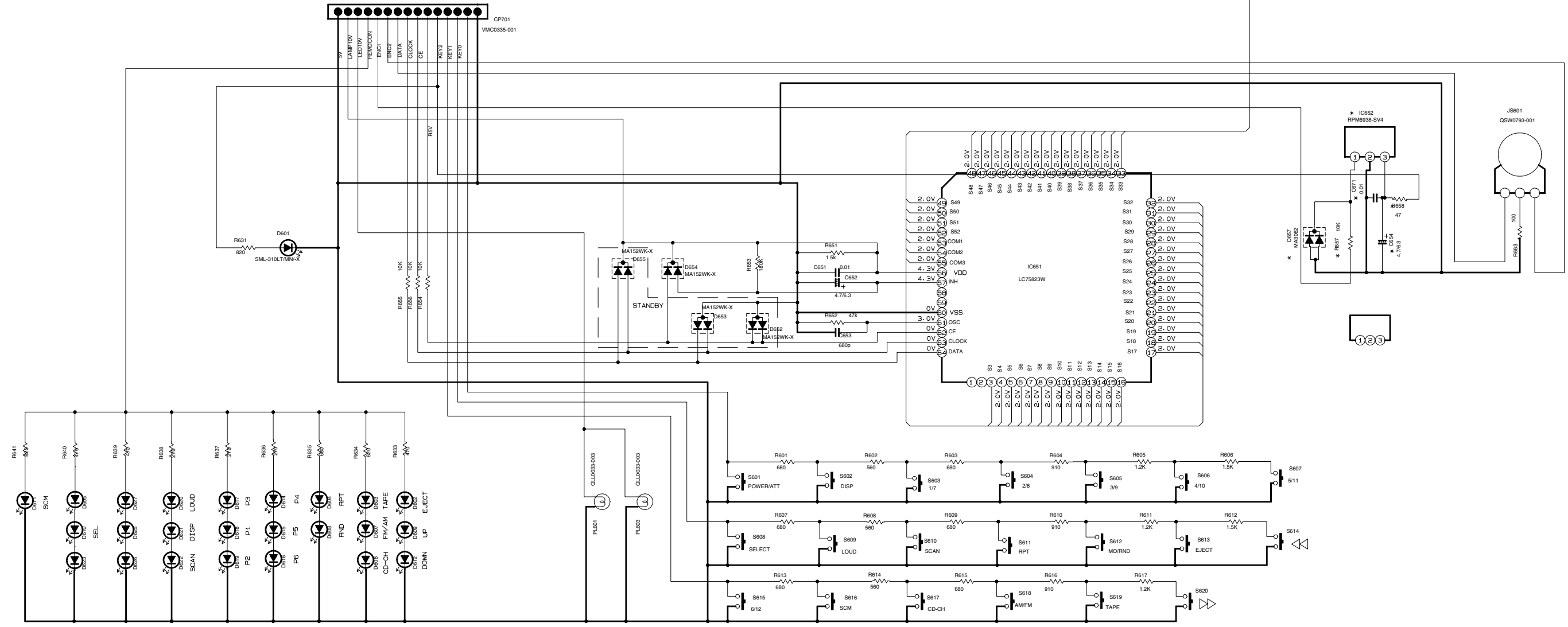
Lch signal

■ LCD & Key control section

- NOTES**
1. VOLTAGES ARE DC-MEASURED WITH A DIGITAL VOLT METER WITHOUT INPUT SIGNAL.
CONDITION - - - FM MODE
 2. UNLESS OTHERWISE SPECIFIED.
ALL RESISTORS ARE 1/4W 5% CARBON RESISTOR OR 1/4W, 1/10W 5% METAL GLAZE RESISTOR.
ALL CAPACITORS ARE 50V CERAMIC CAPACITOR.
ALL RESISTANCE VALUES ARE IN OHM (Ω).
ALL CAPACITANCE VALUES ARE IN μF (μF).
ALL E-CAPACITORS ARE SHOWN IN THE FORM OF CAPACITANCE(μF) / RATED VOLTAGE(V).



5
4
3
2
1



D602-D627 LNJ308GB1/1-3/X
EXCEPT D611 : SML-3100T/XL/-X

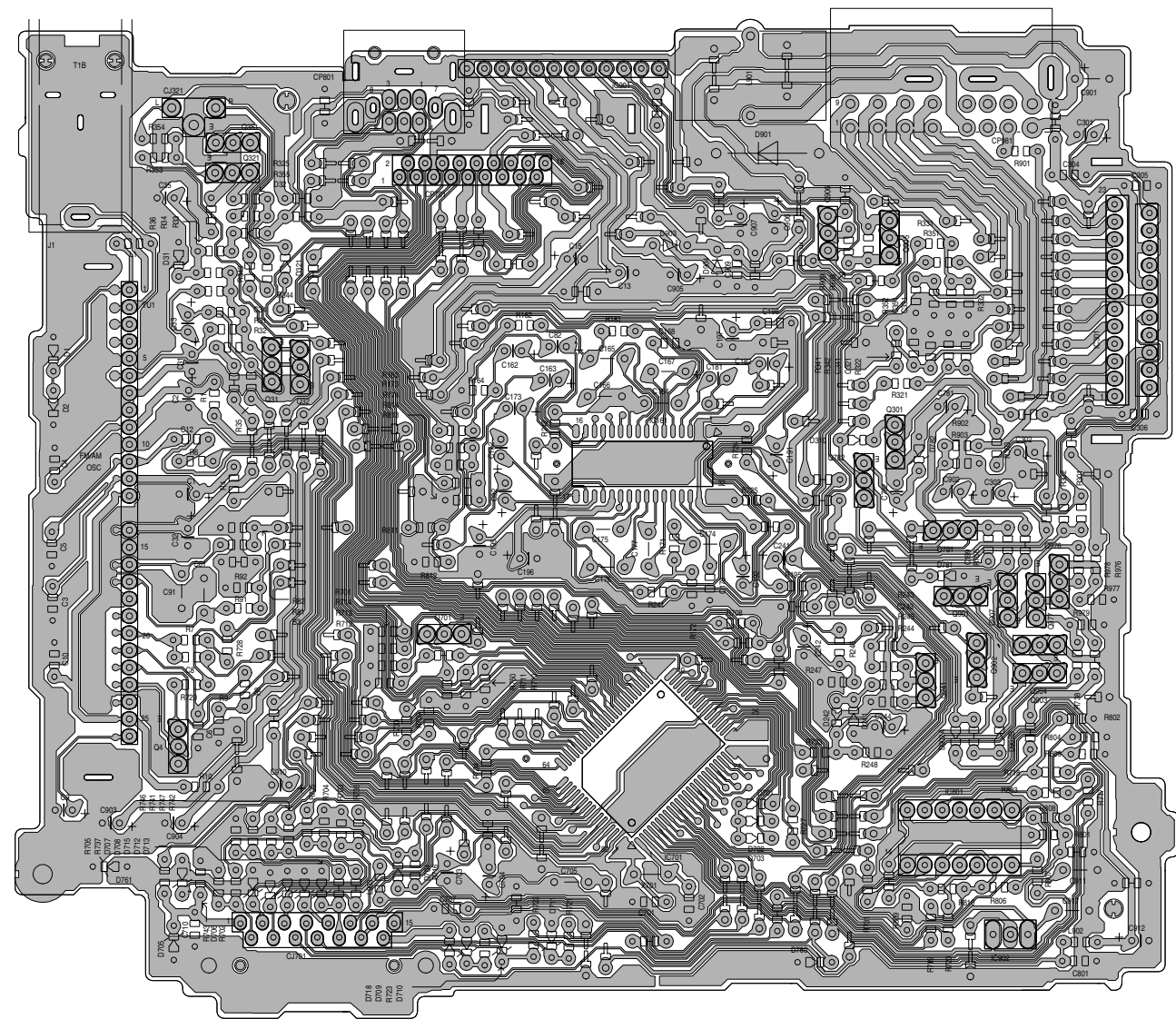
REF. NO.	MODEL	KS-FX270J	KS-FX701U	KS-FX601U	KS-F501U
REMOTE CONTROL	C654 · D657 R657 · R658 IC652	USED	USED	NOT_USED	NOT_USED
LCD1		QLD0156-001	QLD0158-001		

SWITCH BOARD PWB: GEB10011

Note/s/C/ps/3166sw.001 FSDH3166SW 2/3
KS-FX270J,KS-FX701U,KS-FX601U,KS-FX501U

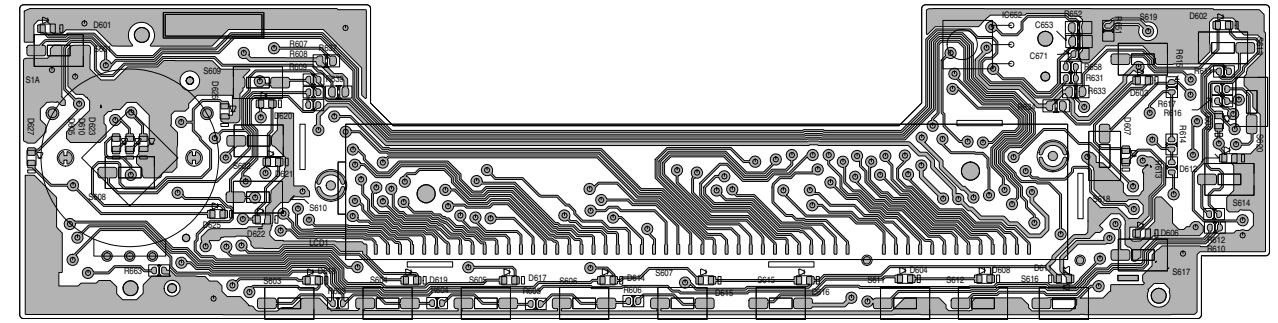
Printed circuit boards

■ Main board

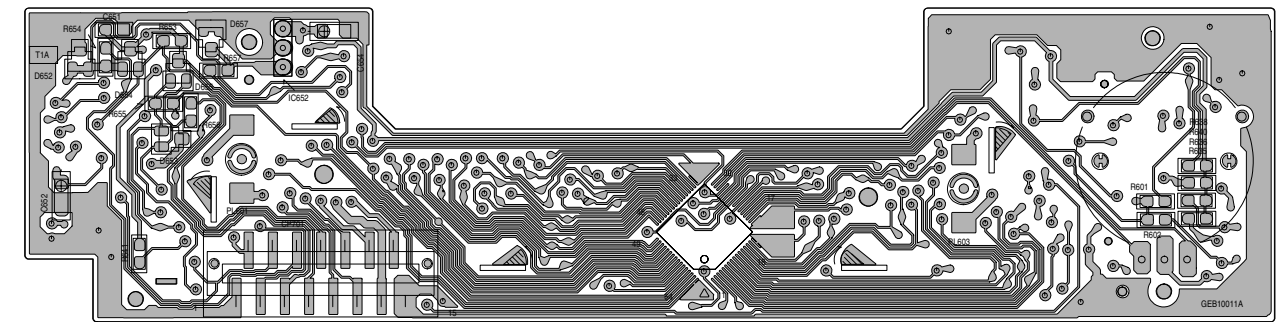


5
4
3
2
1

■ Front board (Forward side)



■ Front board (Reverse side)



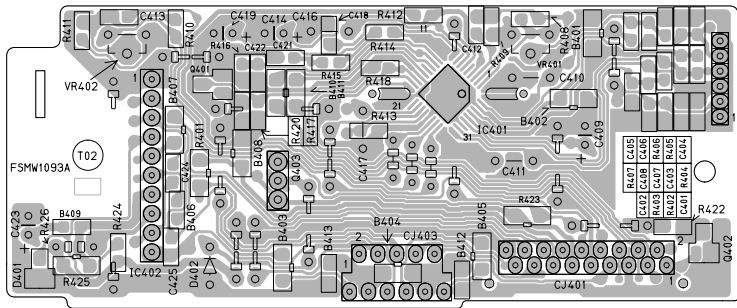
Note: /d2/c/jes/10001/10001mo
KS-FX270J

Note: /d2/c/jes/10011/10011mo KS-FX270J

A | B | C | 2-6 | D | E | F | G | H

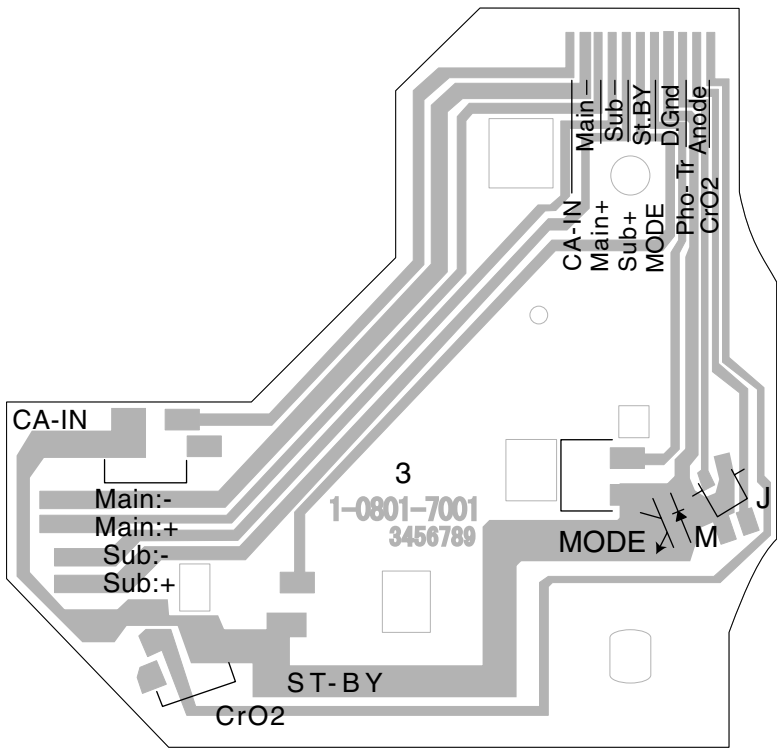
5

■ Mecha control board



4

■ Reel board



3

2

1

A

B

C